

# The MESSy DWARF (based on MESSy v2.55.2)

Astrid Kerkweg<sup>1,2</sup>, Timo Kirfel<sup>1,2</sup>, Duong H. Do<sup>1</sup>, Sabine Griessbach<sup>2,3</sup>, Patrick Jöckel<sup>4</sup>, and Domenico Taraborrelli<sup>1,2</sup>

<sup>1</sup>Institute of Climate and Energy Systems Troposphere (ICE-3), Forschungszentrum Jülich, Jülich, Germany

<sup>2</sup>Centre for Advanced Simulation and Analytics (CASA), Forschungszentrum Jülich, Jülich, Germany

<sup>3</sup>Jülich Supercomputing Centre, Forschungszentrum Jülich, Jülich, Germany

<sup>4</sup>Deutsches Zentrum für Luft- und Raumfahrt (DLR), Institut für Physik der Atmosphäre, Oberpfaffenhofen, Germany

**Correspondence:** Astrid Kerkweg (a.kerkweg@fz-juelich.de)

**Abstract.** Adaptation of Earth system model (ESM) codes to modern computing architectures is challenging, as ESMs consist of a multitude of different components. Historically grown and developed by scientists rather than software engineers, the codes of the individual components are often interwoven, making the optimisation of the ESMs rather challenging, if not impossible. Thus, in the last years the codes became increasingly modularised and with that, different components are disentangled from each other. This helps porting the code section by section to modern computing architectures, e.g. to GPUs.

For more than 20 years, the modularisation is the fundamental concept of the Modular Earth Submodel System (MESSy). It is an integrated framework providing data structures and methods to build comprehensive ESMs from individual components. Each component, e.g., a cloud microphysical scheme, dry deposition of tracer gases, or diagnostic tools, as output along satellite orbits, is coded as an individual, so-called submodel. Each submodel is connected via the MESSy infrastructure with all other components, together forming a comprehensive model system. MESSy was mainly developed for research in atmospheric chemistry, and so far it is always connected to a dynamical (climate or weather forecast) model, what we call basemodel. The basemodel is a development outside the MESSy framework. Running a full dynamical model for technical tests when porting only one submodel is a tedious task and unnecessarily resource consuming. Therefore, we developed the so-called MESSy DWARF, a simplified basemodel based on the MESSy infrastructure. We implemented the definition of a very simple grid, parallelisation scheme, and a time control to replace a fully-fledged basemodel.

The MESSy DWARF serves as a valuable tool for technical applications, such as porting individual component implementations to GPUs and performance tests, or as easy test environment for process implementations. Due to the MESSy structure, the applied components can be used in a dynamical model without any changes, because the interface is exactly the same. Furthermore, the MESSy DWARF is suited for scientific purposes running simplified models (with only a selection of components), e.g., a chemical box model for the analysis of chamber experiments, or a trajectory box model imitating an airparcel rising slowly into the stratosphere. Column and plume models could also easily be build based on the DWARF.

In this article we introduce the technical setup of the MESSy DWARF and show four example applications: (1) a simple application using a component calculating orbital parameters, (2) a chemical kinetics model including photolysis frequencies calculation, (3) an application of a chemical box model, and (4) some details on a GPU performance test of the chemical kinetics model.

## 1 Introduction

This article describes the design concept of the MESSy DWARF. The DWARF establishes a standard tool to easily create simplified setups for technical tests. This is of major concern for the process of porting such a large code base as MESSy step-wise to GPU and for performance analysis of individual submodels. Moreover, the possibility to easily develop simplified MESSy models in a unified way, e.g. box or column models, to focus on local processes without the need to consider horizontal transport, was still missing within the MESSy framework.

The basic concept of the MESSy DWARF is to use MESSy datatypes and methods (for further details see Sects. 2 and 3) to provide the technical framework required to run one specific process implementation (a submodel in MESSy terminology) to be able to concentrate in an efficient way on the optimisation of this specific process implementation, or to "build" simplified models by combining a number of process implementations. To reach this goal, a model grid, the (distributed memory) parallel domain decomposition, and a time control need to be provided by MESSy to replace information, which are usually provided by the dynamical models.

Before the DWARF development, MESSy already provided all datatypes and methods required to

- initialise the model variables by reading input data and transforming (remapping) it to the actual model grid,
- produce output, not only of instantaneous values, but also namelist driven standard diagnostic output as minima, maxima, averages etc.,
- control the time stepping and check pointing,
- perform a tendency analysis for prognostic variables,

but, for real applications, it was always connected to a dynamical model. The idea to fully utilise the capacity of the MESSy framework to build simplified models, especially for testing, but also for simpler scientific applications, was triggered by the publication of Müller et al. (2019). Earth system models (ESMs), especially those including explicit atmospheric chemistry process descriptions, are very expensive in terms of required computing time and memory. As these models have been developed over a long time, they are not straight-forwardly efficiently applicable or even portable to new computing architectures. This problem is faced by most models of this kind around the world. Therefore, a strategy on how "to evolve weather and climate prediction models to next-generation computing technologies" (Müller et al., 2019) was developed within the HORIZON2020<sup>1</sup> funded ESCAPE (Energy-efficient Scalable Algorithms for Weather Prediction at Exascale) project. The first point of this strategy is to "(i) identify domain-specific key algorithmic motifs in weather prediction and climate models (which we term Weather & Climate Dwarfs)" (Müller et al., 2019, introduction). "The dwarfs thus represent domain-specific mini-applications (Messer et al., 2018) which include direct input from the domain scientist together with documentation [...]" (Müller et al., 2019, Sect. 2.1). With the publication of Müller et al. (2019), the idea of restructuring comprehensive, established source codes, to separate them into smaller pieces related to specifically simulated processes, in short the idea of

---

<sup>1</sup><https://research-and-innovation.ec.europa.eu/funding/funding-opportunities/funding-programmes-and-open-calls/horizon-2020> (last access: 2024-06-04)

formally modularising the source codes, became widely acknowledged in the community, after being already proposed in 2005 (Jöckel et al., 2005).

60 Combining the basic design concepts of the Modular Earth Submodel System (MESSy, Jöckel et al., 2005), i.e. that each component is already coded as an individual submodel with the "dwarf strategy" developed and published by the ESCAPE project (Müller et al., 2019), resulted in the development of the MESSy DWARF.

65 While the ESCAPE weather & climate dwarfs are seven specific dwarfs for seven process implementations, the MESSy DWARF adds a new basemodel to the MESSy framework, enabling to run each MESSy submodel (currently more than 90 are available and the number is growing) in simplified setups. Each individual ESCAPE dwarf solves the problems by setting up its own minimal driver (grid, parallelisation etc.), while the MESSy DWARF is a generic basemodel with which all process descriptions, available as MESSy submodels, can be applied. The ESCAPE dwarfs have the advantage, that the overhead is minimal, and thus providing the perfect setup to optimise this specific process.

70 In contrast, the MESSy DWARF requires some additional overhead to the individually tackled submodel by using always the above listed MESSy functionalities. While the larger overhead could be considered as a downside for performance optimisation, it is an upside that the MESSy DWARF establishes a standard model, which can be used to drive all submodels, avoiding the need to develop individual drivers for each specific submodel. Furthermore, since the submodel interfaces are the same for all basemodels according to the MESSy concept, a submodel developed or optimised in a DWARF configuration can be used directly in a fully-fledged basemodel without any changes. Additionally, it is possible to run and test combinations of submodels with the DWARF. This is not only helpful for technical optimisations (see Sect. 4.4), but also opens up the DWARF  
75 for scientific use, e.g. for simplified models such as chemical box models (see Sect. 4.3).

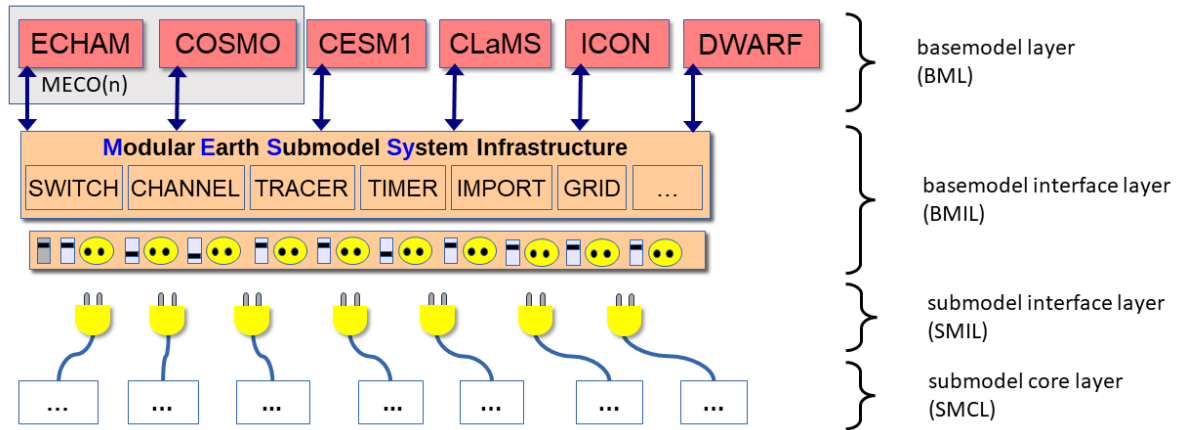
Starting with a short introduction into the basic MESSy concept (Sect. 2), the following section provides an overview of the technical realisation of the MESSy DWARF (Sect. 3). Section 4 contains several examples of DWARF applications to illustrate its usability. Finally, the article is concluded with a short summary and a list of some future development plans (Sect. 5).

## 2 The MESSy infrastructure and submodel concept

80 The Modular Earth Submodel System (MESSy, Jöckel et al., 2005) is an integrated software framework, which was initially built to facilitate the implementation of atmospheric chemistry processes into existing models of atmospheric dynamics (Jöckel et al., 2010; Kerkweg and Jöckel, 2012). Its basic idea is that each process and diagnostics can be coded as an individual submodel. Such a submodel consists of two parts: the submodel core layer (SMCL) contains the implementation of the process coded in its basic entity (e.g., kinetics = box, convection = column process), while the submodel's interface layer (SMIL) connects to the MESSy infrastructure components on the (basemodel dependent) basemodel interface layer (BMIL), which in  
85 turn is connected to the basemodel layer (BML), i.e. the basemodel (see Fig. 1). This 4-layer software architecture allows for the implementation of the SMCL to be completely independent of the basemodel, for instance its local variable dimensions, order of ranks, parallel decomposition, etc. MESSy distinguishes between regular submodels and infrastructure submodels. While the regular submodels are realisations of individual processes (e.g., the kinetic solver for the gas phase chemistry, dry

**Table 1.** List of MESSy submodels including a short description and citation (if possible).

submodel name	description	citation
infrastructure submodels		
CHANNEL	CHANNEL handles the memory and meta-data management, and data export.	Appendix A, Jöckel et al. (2010)
CONTROL	CONTROL controls the workflow of a MESSy simulations. In each entry point it calls the individual submodels (interlinked with SWITCH).	Jöckel et al. (2005)
DATA	DATA steers the data exchange between basemodel and MESSy submodels in both directions.	Jöckel et al. (2005)
DECOMP	DECOMP provides the parallel domain decomposition of the model grid.	this article
GRID	GRID provides the definition of the model grid and of grid related variables such as, longitude, latitude, box height, grid volume etc.	Kerkweg et al. (2018), this article
IMPORT	IMPORT performs the data import into the model. It contains three sub-submodels which themselves deal with different types of data.	Kerkweg and Jöckel (2015)
– IMPORT_GRID	IMPORT_GRID imports time series of gridded data in netCDF format to the actual model grid.	
– IMPORT_LT	IMPORT_LT performs the import of lookup tables. In MESSy they are used, e.g., to import optical properties required for the submodel AEROPT (Dietmüller et al., 2016), which calculates the AERosol OPTical properties.	
– IMPORT_TS	IMPORT_TS imports standard time series data.	
MPI	MPI establishes parallel communication (e.g., broadcasts, data gathering and scattering) via the Message Passing Interface (MPI).	
SWITCH	SWITCH activates individual submodels.	Jöckel et al. (2005)
TENDENCY	TENDENCY provides interfaces for the access and modification of prognostic variables. Furthermore, it enables the namelist driven possibility for tendency diagnostics for individual prognostic variables for single processes or collections of processes.	Eichinger and Jöckel (2014)
TIMER	TIMER establishes the time settings of the simulation and provides an event control, i.e., among others it sets the date components, schedules restarts, and provides the interfaces for scheduling of events in other submodels.	Jöckel et al. (2010)
TRACER	TRACER manages tracers and their meta-data. This includes, among others, the definition of tracers, their attribution to specific processes (e.g., if a tracer should be advected) and the assignment of chemical and physical properties as molar mass, Henry coefficients etc.	Jöckel et al. (2008)
regular submodels		
DWARFDCD	DWARF specific submodel, defining a set of prognostic variables for DWARF and enabling initialisation and nudging of the prognostic variables defined in this submodel	this article
JVAL	calculation of photolysis frequencies	Sander et al. (2014)
MECCA	kinetic solver for gas and liquid phase reactions	Sander et al. (2019)
ORBIT	calculation of orbital parameters	Dietmüller et al. (2016)
PTRACINIT	Passive TRACer INItialisation	Hofmann et al. (2016), this article: Appendix C



**Figure 1.** Sketch of the 4-layer code structure of MESSy. The image illustrates, how the different basemodels and the basemodel independent core layer of the individual submodels are interconnected via the two interface layers. The basemodel interface layer (BMIL) organises the correct workflow and data exchange between the regular submodels, which cores are connected by the submodel interface layer (SMIL) to the BMIL.

90 deposition, convection etc.) or diagnostics, the MESSy infrastructure submodels establish the overall machinery required to orchestrate the individual submodels (data exchange, control flow, check-pointing, data import and export etc.). Thus, the infrastructure submodels establish the framework to execute the regular submodels. The MESSy infrastructure submodels comprise – among others – submodels for

- memory management and output control (submodel CHANNEL, Appendix A<sup>2</sup>, Jöckel et al., 2010),
- 95 – import of data (submodel IMPORT, Kerkweg and Jöckel, 2015),
- time and event control (submodel TIMER, Jöckel et al., 2010),
- data exchange between basemodel and MESSy submodels (submodel DATA, Jöckel et al., 2005),
- flow control, i.e. activation of submodels (submodel SWITCH), and calling of the submodels during simulation (CONTROL, Jöckel et al., 2005),
- 100 – tracer data and tracer meta-data handling (submodel TRACER, Jöckel et al., 2008),
- tendency diagnostic (submodel TENDENCY, Eichinger and Jöckel, 2014).

Table 1 lists the MESSy submodels mentioned in this publication including a very short description and respective references.

<sup>2</sup>Appendix A provides a very short introduction to the CHANNEL submodel. For readers not familiar with MESSy it introduces the most important terms used in the remainder of the article.

If MESSy is connected to a dynamical model, the dynamical model defines the grid, provides the parallel domain decomposition information including methods for data transpositions (e.g. the message passing interface (MPI) based subroutines), as well as the set of prognostic variables and external data, such as land-sea-mask, surface elevation etc. This information is picked up by the MESSy infrastructure submodels and translated into MESSy data types for harmonized usage by all MESSy submodels.

### 3 The technical realisation of the MESSy DWARF

So far, MESSy was always connected to dynamical models, e.g. the global climate model ECHAM5 (Roeckner et al., 2006; Jöckel et al., 2010), or the regional weather and climate model COSMO (Rockel et al., 2008; Kerkweg and Jöckel, 2012). However, for simplified scientific applications or for technical tests (such as source code optimisation), a dynamical model is not always required or even counterproductive, due to unnecessary overhead, e.g. for performance analysis of a single MESSy submodel.

As for the MESSy DWARF the basemodel is basically "empty", all functionalities and data usually provided by the basemodel and made accessible via the MESSy infrastructure to the submodels, needs to be replaced, either by additional infrastructure functionalities (e.g. the definition of a grid), or by import of external data. The chemical kinetics submodel MECCA (Model Efficiently Calculating the Chemistry of the Atmosphere, Sander et al., 2019) is used as an example to demonstrate the dependence of a process submodel on entities usually provided by the basemodel and to illustrate the concept of the DWARF.

To meaningfully set up the DWARF with MECCA being the only regular MESSy submodel used, three main aspects need to be considered:

1. the provision of input data required by MECCA. These are:

i) the temperature and the specific humidity:

Temperature and specific humidity are prognostic variables. Dynamical basemodels provide the set of prognostic variables as determined by their dynamical core. In MESSy, these are made accessible to the MESSy submodels via the infrastructure submodel TENDENCY (see Sect. 3.1.1). As the DWARF does not contain a dynamical core, the regular MESSy submodel DWARFDCCD (DWARF's Dynamical Core Dummy) simply provides a set of prognostic variables (see Sect. 3.1.1).

ii) the photolysis frequencies:

The photolysis frequencies are usually calculated by the MESSy submodel JVAL (Sander et al., 2014). Given a setup where MECCA is the only used regular submodel, J-values need to be provided as external data. External data is read in via the MESSy infrastructure submodel IMPORT (see Sect. 3.1.2).

iii) the pressure at box mid-points:

The pressure is provided by the basemodel itself and referenced by the MESSy infrastructure submodel DATA or, if the basemodel does not provide a pressure field, it is calculated in DATA. Thus, also in the case of the MESSy

135 DWARF, it is calculated or referenced by DATA (see Sect. 3.1.3). In case of a reference, it will relate to external data provided by IMPORT\_GRID (see Sect. 3.1.2).

iv) the tracers (chemical active trace species):

140 The tracers are created by MESSy submodels, i.e. in the example by MECCA. The tracer meta-data and memory management is provided by MESSy infrastructure submodel TRACER and the data are accessed and changed via the infrastructure submodel TENDENCY (same as the other prognostic variables). Thus, tracers are handled in exactly the same way for DWARF as for legacy basemodels.

v) and the longitude and latitude fields for debug output:

Last but not least, for debug output, the longitude and latitude fields are required by MECCA. These are always provided by the MESSy infrastructure submodel GRID\_DEF (see in Sect. 3.2) independent of the basemodel.

2. the handling of the output data provided by MECCA:

145 MECCA solves the kinetic equations of the gas-phase chemistry and calculates the change of reactive chemical species over a time increment, thus the output of MECCA consists of the tendencies of the reactive trace gases. These tendencies, i.e., the rate of change for the current time-step inferred by kinetics, is fed back via the TENDENCY infrastructure model.

3. the grid on which the simulation should be performed:

150 A full dynamical model naturally provides a grid on which the primitive equations and the model physics are solved. For the DWARF a simple grid is defined by the infrastructure submodel GRID\_DEF (see in Sect. 3.2). Additionally, the parallel domain decomposition of the grid and the parallel communication patterns need to be established (Sect. 3.3), if working in (distributed memory) parallel environments.

The following subsections provide more details on how the above listed features are implemented in the MESSy DWARF.

### 3.1 Data supply

155 In the usual MESSy model setup using a legacy model as basemodel, the MESSy submodels have access to two types of external data:

- data provided by the basemodel, and
- data imported by the MESSy submodel IMPORT.

The basemodel data itself separates into (i) initial and boundary data (including nudging data) and (ii) basemodel variables.

160 (i) Initial data is used to initialise the model and therefore is only required at the very first model time step. In contrast to this, boundary data needs to be updated regularly, e.g. after discrete time intervals during the model simulation.

(ii) Basemodel variables are calculated by the basemodel. The most important variables are the prognostic variables, which are the variables used to solve the primitive equations. The set of prognostic variables can therefore differ between basemodels. Non-prognostic variables are often called diagnostic variables.

```

!-----
! *- f90 -*-
&CTRL
nudget_t = 3600.0,
/

&CPL
inp_tm1 = 'import_grid', 'inp3d_tm1',
inp_xlm1 = 'import_grid', 'inp3d_xlm1',
inp_xim1 = 'import_grid', 'inp3d_xim1',
! provide rhum instead of q
inp_rhum = 'import_grid', 'inp3d_rhum',
inp_press = 'import_grid', 'inp3d_press' ! required if inp_rhum is set
/
!-----

```

**Figure 2.** Example namelist file `dwarfdcd.nml` for the MESSy submodel DWARFDCD. According to the &CPL namelist, all prognostic variables provided by DWARFDCD except  $q$  are initialised from external data read by IMPORT\_GRID.  $q$  is initialised from an imported relative humidity field. For this calculation, additionally, the pressure field is required, which is also provided by IMPORT\_GRID. The only time-varying, i.e., nudged prognostic variable is the temperature, as only for this a nudging coefficient is defined in the &CTRL namelist.

165 If MESSy is run in connection with a legacy basemodel, the basemodel specific variables are made available to the MESSy submodels by translation of those (in the BMIL) into so-called MESSy channel objects. The technical implementation of this translation in the BMIL depends on the basemodel. In EMAC, for instance, the translation is based on pointer association<sup>3</sup> of channel objects to the internal data structures of the ECHAM5 basemodel. In COSMO/MESSy, the COSMO source code has been modified to allocate memory of the COSMO variables directly in form of channel objects via the corresponding CHANNEL methods. Prognostic variables, specifically, are translated (i.e. made accessible) via the MESSy submodel TENDENCY (Eichinger and Jöckel, 2014). Diagnostic variables required by several MESSy submodels, but not present in the respective basemodel, are calculated in the (basemodel specific part of the) MESSy submodel DATA. One example might be the 3-dimensional geopotential height field, which is available in ECHAM5, but not in COSMO and therefore is declared and calculated in the COSMO specific part of DATA.

175 The DWARF, however, is a generic (basically "empty") basemodel without the functionality of a legacy basemodel. Thus, first a set of prognostic variables needs to be defined. This is implemented within the submodel DWARFDCD (see Sect. 3.1.1). Second, all other variables in the DWARF become initial or boundary data and are imported by the MESSy submodel IMPORT.

180 Which set of prognostic variables is defined by the new MESSy submodel DWARFDCD and how they are modified, is described next (Sect. 3.1.1). The functionality of the IMPORT infrastructure submodel is explained in Sect. 3.1.2. The last subsection (Sect. 3.1.3) describes which variables are calculated additionally by the MESSy submodel DATA.

---

<sup>3</sup>as defined by the Fortran language standard



### 3.1.1 Definition and modification of prognostic variable

The MESSy infrastructure submodel TENDENCY (Eichinger and Jöckel, 2014) allows for detailed analyses of individual tendencies<sup>4</sup> of prognostic variables. Each process using a prognostic variable as input, or changing it, must access and/or modify it via methods (i.e. calling of subroutines) of the infrastructure submodel TENDENCY. In this way, it can be ensured that the operator splitting concept is always followed (meaning implemented in a numerically correct way), and that all tendencies can be budgeted by TENDENCY, if desired.

This implies, that the MESSy submodels are expecting specific prognostic variables to be accessible and modifiable via TENDENCY. Therefore, for the MESSy DWARF, the new submodel DWARFDCCD defines a set of the prognostic variables. Currently, the following prognostic variables are provided by DWARFDCCD:

- 190 – air temperature  $t$  in K,
- the horizontal wind velocities  $u$  and  $v$  in m/s,
- the water vapour  $q$  in kg/kg,
- the liquid water content  $xl$  in kg/kg,
- the ice water content  $xi$  in kg/kg.

195 Due to the setup of the DWARF (i.e., without dynamical core), the prognostic variables are only changed, if a MESSy submodel adds a tendency to the respective variable. However, it might be desirable to initialise and change the content of the prognostic variables. Consequently, DWARFDCCD provides an initialisation and a nudging option. Using the `&CTRL` namelist of the DWARFDCCD namelist file (see Fig. 2) a relaxation time can be specified for each of the prognostic variables independently. The variable `nudgedt_Y`, with  $Y = t, u, v, q, xl, xi$ , respectively, provides this relaxation time (in s), with which the respective variable is forced to follow the imported data, accessed via the corresponding `&CPL` namelist entries (`inp_Y`). The tendency (`tend_Y`) added to the prognostic variable  $Y$  is then calculated as

$$tend\_Y = (inp\_Y - start\_Y) / nudgedt\_Y \quad (1)$$

with `start_Y` being the current value of variable  $Y$ .

205 If only the initialisation, but no nudging, of a prognostic variable is required, the setting of the `inp_` parameters in the `&CPL` namelist is sufficient. A nudging coefficient must not be defined, as the definition of the nudging coefficients triggers the nudging.

Note, a prognostic variable stays zero, if no input data is provided and no process adds a tendency to it. This is technically possible, as not all simplified DWARF setups require all prognostic variables.

---

<sup>4</sup>Tendency means here the time increment of a variable  $X$ :  $X_{new} = X_{old} + \Delta X \times dt$  with  $X_{new}$  indicating 2 time levels of the variable,  $dt$  being the time step length and  $\Delta X$  the tendency of the prognostic variable.

As the DWARF will be used for measurement campaign analyses, a special case has been introduced for the initialisation and nudging of the water vapour mixing ratio. This renders useful, as measurements often provide only the relative humidity. Therefore the option was implemented to use the relative humidity (in %) as input for the forcing of the water vapour  $q$  (in kg/kg) instead of prescribing the water vapour mixing ratio directly. This option is activated by providing `inp_rhum` instead of `inp_q`. Additionally, the conversion of relative humidity to specific humidity requires the pressure as input, thus `inp_press` needs to be provided in the `&CPL` namelist.

### 215 3.1.2 Initial and boundary data

One important part of each model simulation is the provision of initial and boundary data. The MESSy infrastructure submodel IMPORT provides the standard interface for data import at the beginning and during the model simulation. See the IMPORT User Manual (available in the supplement of Kerkweg and Jöckel (2015) or in the MESSy code distribution) for technical details and the usage of the IMPORT submodel including a detailed description of the meaning of namelist parameters. Two sub-submodels of IMPORT (compare Tab. 1 and Kerkweg and Jöckel, 2015) are used for replacing basemodel functionalities:

#### – IMPORT\_GRID

The MESSy infrastructure submodel IMPORT\_GRID imports 2- or 3-dimensional gridded data at the beginning of and during a simulation. Which data is imported and when is determined by namelists. The import process includes (i) reading in the requested data, (ii) distributing it according to the parallel domain decomposition, and (iii) remapping it onto the actual model grid used. The order of these steps depends on the basemodel used. For the DWARF and its limited-area grid (see Sect. 3.2), each parallel MPI task reads and interpolates the data for its part of the grid. The DWARF uses the SCRIP (A Spherical Coordinate Remapping and Interpolation Package) algorithm in IMPORT\_GRID (Jones, 1999) for the remapping.

Gridded data can be read once at the beginning of the simulation or in discrete time intervals during the simulation, if a time series of gridded data is available. The triggers for reading and the sequences of time steps to be selected from the files are defined by a Fortran namelist as user interface.

#### – IMPORT\_TS

IMPORT\_TS provides an interface for reading standardised time series data, i.e., data available for a specific period in time and with a specific number of parameters, from ASCII or netCDF.

In full 3-dimensional simulations this is e.g. used to read the vertical equatorial zonal wind profile for quasi biannual oscillation (QBO) nudging (Jöckel et al., 2016). In case of the DWARF, IMPORT\_TS is especially helpful for box model simulations, i.e. for reading in measurement data to constrain the DWARF to the experiment conditions. Section 4.3 provides an example for this.

```

!-----
!  -- f90  --

&CPL
inp_press = 'import_grid', 'inp3d_press'
inp_pressi = 'import_grid', 'inp3d_pressi'
/
!-----

```

**Figure 3.** Example namelist file `data.nml` for the MESSy submodel DATA.

### 3.1.3 DATA provision

240 The MESSy infrastructure submodel DATA serves as translator, providing the basemodel data to the MESSy submodels in a harmonized way. DATA performs different operations to simplify the access to the basemodel data for the submodels:

1. Variables available from different basemodels describing the same contents might be named differently. In this case, DATA defines a channel object reference (see App. A), to harmonize the channel and object name, with which the individual submodels access this variable.
- 245 2. Variables, which are not directly available from the basemodel, but derivable from other variables, are calculated by DATA. For these, a channel object is defined (i.e. the respective memory is allocated), and the variable is calculated during the time loop.

The first category is not available in the MESSy DWARF, as in the DWARF setup there is no data-providing basemodel, i.e., the DWARF is completely driven by imported data. The second category is available for the DWARF.

250 Variables, which are usually provided by the dynamical model are required by some process submodels. If these can be calculated from the basic model setup and the prognostic variables, they are calculated within DATA for the DWARF. These variables are:

- the coriolis parameter (1/s),
- the vorticity (1/s),
- 255 – the density of dry air (kg/m<sup>3</sup>).

Even more important, the 3-dimensional pressure fields defined at the box centres or the vertical interfaces are required by many calculations in the MESSy submodels. These can either be prescribed by imported data (in this case the imported data needs to be coupled to DATA via the `&CPL` namelist of DATA (see Fig. 3), or the pressure fields are allocated and calculated in DATA itself following the US standard atmosphere 1976 (U.S. Government Printing Office, 1976), using the height fields as

260 determined in GRID (see Sect. 3.2).



**Figure 4.** Illustration of the horizontal (A) and vertical (B) grid definition.

### 3.2 GRID\_DEFINITION

For the MESSy DWARF the grid is defined in the MESSy infrastructure submodel GRID\_DEF. For the start, we decided to use a very simple grid, as for technical tests only the number of grid boxes or the overall size of the grid matters. The basic grid layout is similar to the one used in the regional weather prediction and climate model COSMO (Doms and Baldauf, 2021; 265 Rockel et al., 2008), however much more simplified, as the grid defined for the DWARF in GRID\_DEF does not allow for any rotation of the geographical grid and does not include halo longitudes and latitudes.

The horizontal grid is defined as a rectangle spanning a limited-area (Fig. 4a), which is defined by the lower-left corner (the geographical coordinates of the grid box center point of the lower left grid corner have to be provided in the GRID\_DEF namelist as `startlon_tot` in  $[\circ E]$  and `startlat_tot` in  $[\circ N]$ ), the number of grid boxes in longitude and latitude 270 direction (`mgprow` and `mgpcol`), and the grid spacing (`dlon`/`dlat` in  $^{\circ}E/^{\circ}N$ , respectively). Figure 5 displays an example of the namelist file of the GRID submodel `grid.nml`. The above listed namelist parameters are part of the `&CTRL_GRID_DEF` namelist.

The vertical grid (Fig. 4b) is dimensioned by the number of vertical boxes (`nlev`). Their vertical extent is defined via the namelist parameter `vc_heighti` (formula symbol `vc`), which provides the heights in m above topography ( $H_{topo}$  in m) of the interface levels of the vertical grid boxes. The 3-dimensional fields containing the altitude above ground ( $H_{gnd}^I$ ) and the altitude above mean sea level ( $H_{msl}^I$ ) at the vertical interfaces ( $I$ ) of the grid are calculated from this input as follows:

$$\begin{aligned}
 H_{gnd}^I(i, j, k) &= vc(k) \\
 H_{msl}^I(i, j, k) &= vc(k) + H_{topo}(i, j)
 \end{aligned}
 \tag{2}$$

```

!-----
! -- f90 --
&CTRL_GRID_DEF
!
mgpcol = 93
mgprow = 383
nlev   = 40
!
startlon_tot = 15.0
startlat_tot = 30.0
!
dlon = 0.5
dlat = 0.5
!
! height over ground for 40 levels:
vc_heighti = "22700.0, 20800.0, 19100.0, 17550.0, 16150.0, 14900.0, 13800.0, 12785.0,
              11875.0, 11020.0, 10205.0,  9440.0,  8710.0,  8015.0,  7355.0,  6725.0,
              6130.0,  5565.0,  5035.0,  4530.0,  4060.0,  3615.0,  3200.0,  2815.0,
              2455.0,  2125.0,  1820.0,  1545.0,  1295.0,  1070.0,   870.0,   695.0,
              542.0,   412.0,   303.0,   214.0,   143.0,    89.0,    49.0,    20.0,
              0.0"
/
!-----
&CPL_GRID_DEF
inp_topoheight = 'import_grid', 'inp2d_topoheight',
inp_press_3d   = 'dwarf', 'press',
!lignore_mass = T,
/
!-----

```

**Figure 5.** Example namelist file grid.nml for the MESSy sub-submodel GRID\_DEF.

```

!-----
!  -- f90  --
&CTRL
npx = 4
npy = 2
/
!-----

```

**Figure 6.** Example namelist file `decomp.nml` of the MESSy submodel DECOMP.

with  $i, j$  and  $k$  being the longitudinal, the latitudinal and vertical index, respectively. The height at the box mid-levels is calculated by

$$\begin{aligned}
H_{gnd}(i, j, k) &= 0.5 * (H_{gnd}^I(i, j, k + 1) + H_{gnd}^I(i, j, k)) \\
H_{msl}(i, j, k) &= 0.5 * (H_{msl}^I(i, j, k + 1) + H_{msl}^I(i, j, k)).
\end{aligned}
\tag{3}$$

The second namelist of the GRID namelist file (Fig. 5), i.e. `&CPL_GRID_DEF`, defines the coupling, i.e., the input required from other MESSy submodels. In the example case, the topography is read by the MESSy submodel `IMPORT_GRID` and the coupled object is named `inp_topoheight`. Additionally, the calculation of the air mass in the grid-box and the dry air mass in the grid-box requires the pressure. In Fig. 5 the pressure is not pre-described, but is calculated by the MESSy submodel `DATA` according to the US standard atmosphere (1976).

Last but not least, for a very reduced setup, when even the water vapour content is not known, the calculation of the grid mass can be skipped by setting the logical switch `lignore_mass` true.

### 3.3 DECOMPosition and parallel communication (MPI)

The MESSy infrastructure submodel DECOMP organises the parallel decomposition of the MESSy DWARF. The parallelisation is a classical horizontal domain decomposition along the longitudes and latitudes. The example namelist in Fig. 6 shows a decomposition along the longitudinal range into 4 segments, and along the latitudinal range into 2 segments, requiring overall

**Table 2.** Process submodels used in example simulations.

acronym	process submodels used
Orbit1/2	ORBIT
Kin	ORBIT, JVAL, MECCA
Box1	JVAL, MECCA
Box2	JVAL, MECCA, PTRACINI
GPU	ORBIT, JVAL, MECCA

**Table 3.** Basic setup of example simulations.

acronym	lower left corner {°E, °N}	mgprow	mgpcol	nlev	dlon °E	dlat °N	start time YYYY-MM-DD-HH	end time	time step seconds	output frequency minutes
Orbit1	-150.0, -70.0	123	71	40	2.0	2.0	1998-03-19-23	1998-03-22-01	300	60
Orbit2	-150.0, -70.0	123	71	40	2.0	2.0	1997-12-31-23	1998-01-02-01	300	60
Kin	-15.0, 30.0	63	43	40	0.5	0.5	1998-06-01-00	1998-06-02-01	120	10
Box 1/2	6.4, 50.9	1	1	1	0.0001	0.0001	2021-01-10-10	2021-01-10-16	120	10
GPU	-15.0, 30.0	63	43	40	0.5	0.5	1998-06-01-00	1998-06-01-01	120	10

4 x 2 = 8 MPI tasks. The number of grid boxes is divided by the number of segments in each direction. If it cannot be divided without a remainder, the number of grid boxes is increased by one for as many tasks as correspond to the remainder. In our example, the latitude range covers 93 grid boxes, which are distributed among 2 segments. In this case, the tasks of the first segment get 46 grid boxes in latitudinal direction, while the tasks in the second segment get 47 grid boxes. The same happens for the longitudinal range:  $393 : 4 = 98.25$ . Thus, the tasks in the first three segments get 98 grid boxes, while the tasks in the fourth segment get 99 grid boxes. Thus the task 0 gets  $98 \times 46$  grid boxes, while task 7 gets  $99 \times 47$  grid boxes.

Internally, DECOMP saves the start indices of the respective local domains and determines the start longitude and latitude (`startlon / startlat`) of each local domain.

The parallel communication is established by the MESSy submodel MPI. It uses the message passing interface (MPI) to perform the communication between the different parallel tasks. The individual broadcast, gather, and scatter routines are based on the respective implementation of the COSMO model.

### 3.4 Limitations of the DWARF approach

As the DWARF provides a very simplistic replacement for a fully-fledged dynamical model, there are limitations to the applicability of the DWARF:

- The MESSy DWARF in its basic configuration (i.e., if only the infrastructure submodels and DWARFDCD are active) does not provide any dynamical, physical or chemical processes, thus, if no regular MESSy submodel is switched on to provide any tendencies, prognostic variables (including tracers) will be constant in time. If they are not initialised, the prognostic variables (including tracers) will be zero. Furthermore, as long as no regular MESSy submodel contributes a transport process, the DWARF just consists of a number of independent (unconnected) boxes, which are organised on a 3-dimensional geographical grid.

- The regular MESSy submodel DWARFDICD is required to create the prognostic variables, which are accessed by the regular MESSy submodels via TENDENCY. Each of the prognostic variables needs to be initialised, if it should have a meaningful value. Nudging needs to be switched on, if a prognostic variable should change over time. All of these are namelist settings and it is the obligation of the user to ensure a meaningful setup. Otherwise, prognostic variables that are zero could lead to errors.
- The currently applied simple grid is defined without halo-cells, i.e., calculations, which require data of the horizontally neighbouring cells will fail at the border of the local grid-cell. As a consequence, these fields show incorrect values at the edge cells of the local domain and the results are depending on the chosen parallel domain decomposition. However, almost all MESSy submodels operate only on one horizontal grid cell or within a vertical column of grid cells, thus for engineering tests this limitation can be accepted. If the knowledge of neighbouring cells is necessary for a scientific application, the MPI communication needs to be implemented to exchange the values of the halo-cells.
- The user has to take care that all the data required as input to a submodel is available either from imported data or from other MESSy submodels. Missing data, however, in contrast to the first two points, will lead to an error during run-time telling the user, that data is missing.

## 4 Example applications

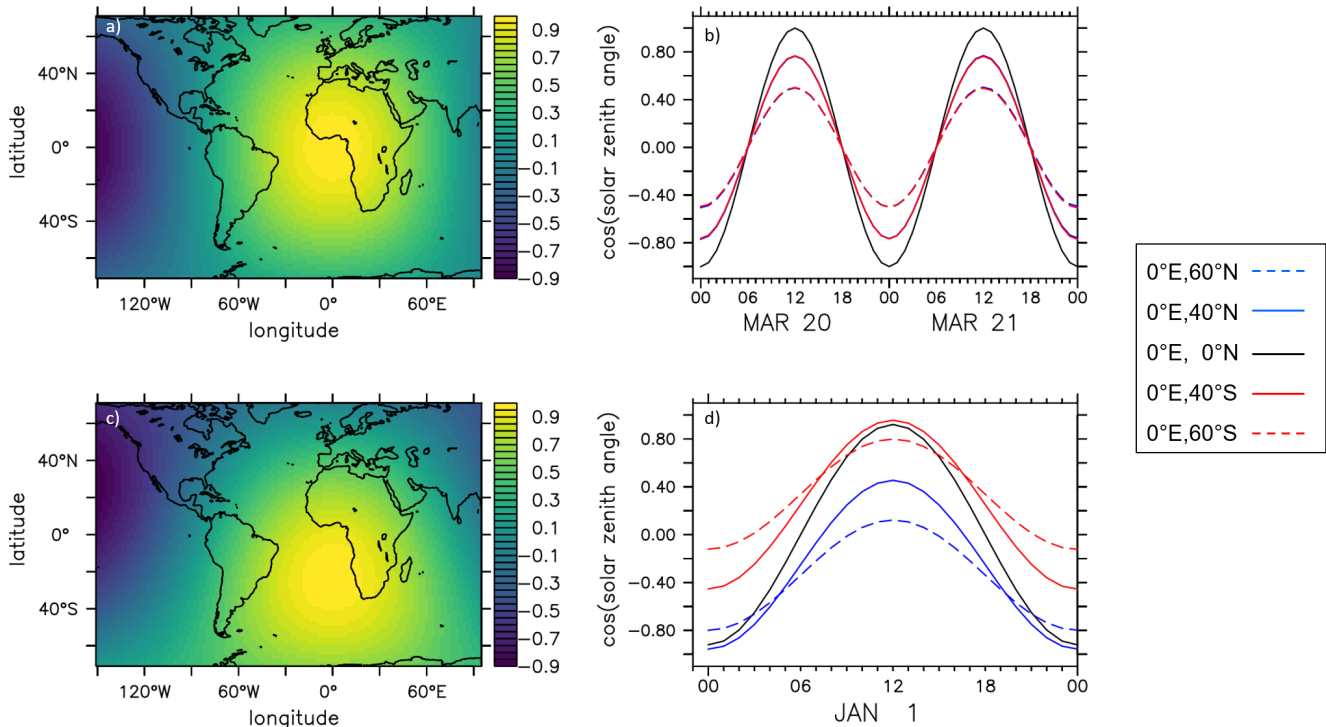
This article describes the design concept of the MESSy DWARF. The major driving force for developing the DWARF was on the one hand side the need to establish a standard tool to easily create simplified setups for technical tests. This is of major concern for the process of porting such a large code base as MESSy stepwise to GPU and for performance analysis of individual submodels. On the other hand side, the possibility to easily develop simplified MESSy models in a unified way, e.g. box or column models, to focus on local processes without the need to consider horizontal transport, was still missing within the MESSy framework.

In the following, four examples for the applicability of the MESSy DWARF are presented. At the beginning a very simple box model calculating orbital variations (Sect. 4.1) is shown. A simplified 3-dimensional chemical model (Sect. 4.2) and a chemical box model (Sect. 4.3) are presented next. The last example demonstrates, how a simplified 3-dimensional chemical model can be used for performance analysis in the framework of porting the chemical kinetics model to GPU (Sect. 4.4). Table 2 lists the regular submodels used for the respective examples, while Tab. 3 provides an overview of the respective model configurations.

### 4.1 Orbital variations

As first, very simple example, the submodel ORBIT (Dietmüller et al., 2016) calculating orbital parameters is used. The only input ORBIT requires are the time and the geographical location. These are provided in the same way for all basemodels including the MESSy DWARF by the infrastructure submodel TIMER and GRID\_DEF, respectively.



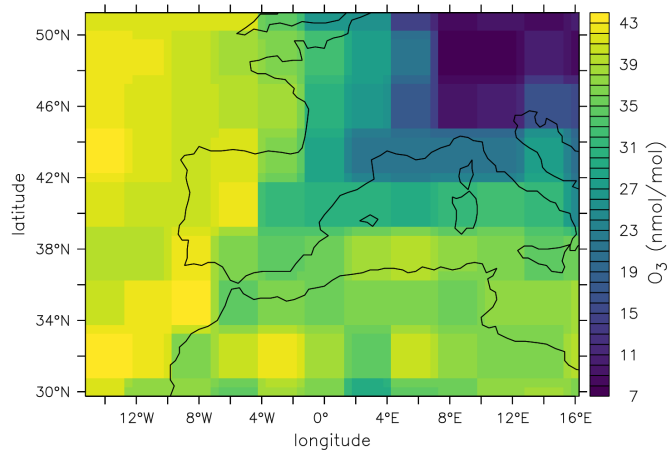


**Figure 7.** Cosine of the solar zenith angle calculated by the submodel ORBIT. Left: Area plots over the entire model domain for 20 March 1998, 12 UTC (upper row) and for 1 January 1998, 12 UTC (lower row). Right: Diurnal cycles of the cosine of the solar zenith angle  $0^{\circ}$  E and  $60^{\circ}$  S,  $40^{\circ}$  S,  $0^{\circ}$  N,  $40^{\circ}$  N and  $60^{\circ}$  N for the 20–21 March 1998 (upper) and 1 January 1998 (lower), respectively.

For this example, a simulation has been run for 20–21 March 1998 ("Orbit1" in Tabs. 2 and 3) and 1 January 1998 ("Orbit2"). Figure 7 shows some of the results.

345 The diurnal cycle of the cosine of the solar zenith angle exhibits the largest amplitude at the Equator and the amplitude is decreasing with distance to the Equator (Fig. 7b,d). On equinox (20–21 March, Fig. 7b), the cosine of the solar zenith angle for  $60^{\circ}$  S and  $40^{\circ}$  S equals exactly those at  $60^{\circ}$  N and  $40^{\circ}$  N, respectively. However, this is only true for the equinox, while differences in the cosine of the solar zenith angle are already visible before and after the equinox. In addition, in January (Fig. 7d) the shift of the solar zenith angle according to the season for the regions nearer to the pole is apparent.

350 While the right panels give an impression of the modulation of the solar zenith angle from a local point of view, the left panels of Fig. 7 give a spatial impression. They present area-plots of the cosine of the solar zenith angle in the model domain at 12 UTC. As expected, the maximum for March 20th is exactly at the Equator, while the maximum for January is shifted towards the South Pole.



**Figure 8.** Ozone mixing ratio ( $\text{nmol mol}^{-1}$ ) in the lowest model layer 10 minutes after model start (i.e., 01 January 1998, 00:10:00) .

## 4.2 The chemical kinetics model

355 The second example ("Kin" in Tabs. 2 and 3) is a simple 3-dimensional setup for atmospheric gas phase chemical kinetics. The only submodels used are (see Tab. 2):

- the chemical kinetics submodel MECCA (Sander et al., 2005, 2019) solving the ordinary differential equation system for gas phase chemistry, where the chemical mechanism is the same as the basic mechanism used by Jöckel et al. (2016),
- the submodel JVAL (Sander et al., 2014) calculating the photolysis frequencies required within MECCA,
- 360 – the submodel ORBIT (Dietmüller et al., 2016) providing the orbital parameters required by JVAL.

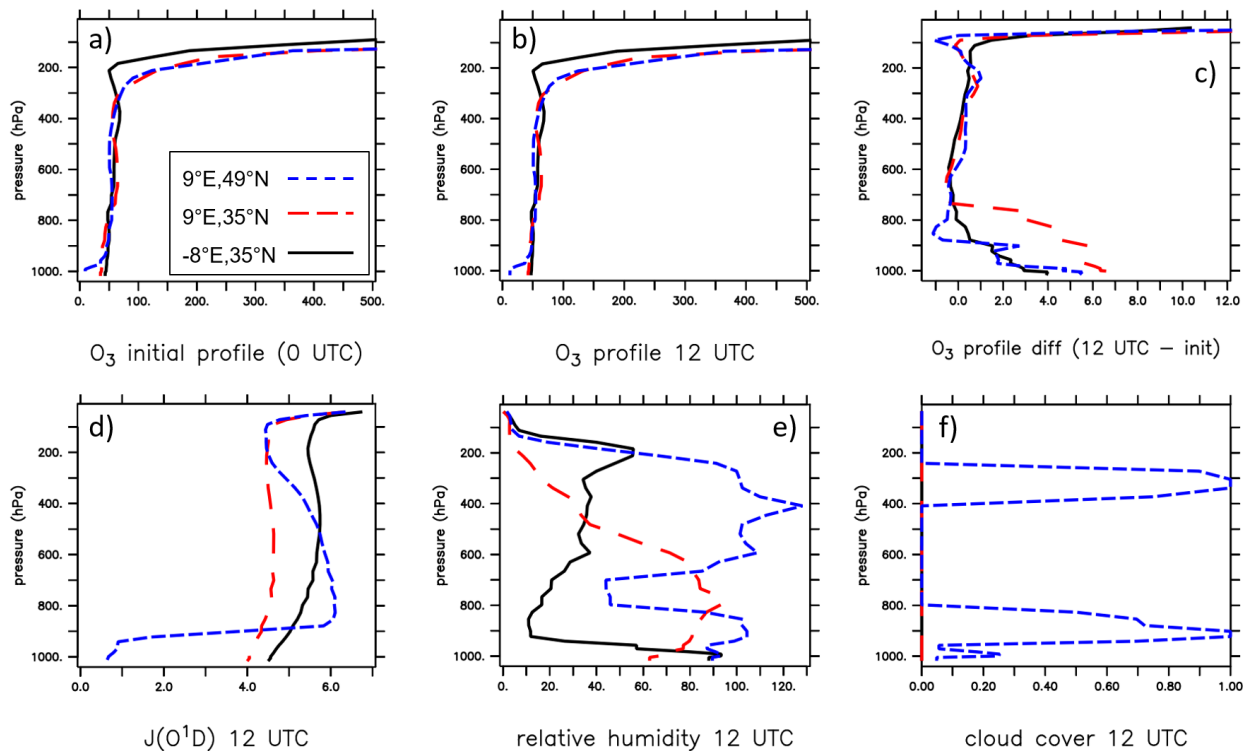
As no transport processes are included in this model setup, in fact, independent simulations in  $\text{mgprow} \times \text{mgpcol} \times \text{nlev} = 63 \times 43 \times 40 = 108360$  grid boxes (compare Tab. 3) are performed. The boxes differ in their horizontal and vertical position according to the defined grid (from  $15^\circ$  W to  $16.5^\circ$  E and  $30^\circ$  N to  $51.5^\circ$  N). Differences in the simulated chemistry between the individual grid boxes are either due to the initialisation of the chemical species or the prescribed external data.

365 The inputs required by ORBIT and MECCA are discussed in Sect. 4.1 and the introduction of Sect. 3, respectively. The input fields required by JVAL are

1. temperature, liquid water content, and ice water content:

These are accessed via TENDENCY and are, in the MESSy DWARF, created by the submodel DWARFDCD. In DWARFDCD they have been initialised by data imported with IMPORT\_GRID. No nudging is applied. Thus these

370 three variables are constant over time.



**Figure 9.** Ozone profiles at three geo-locations are presented: blue: 9° E, 49° N; red: 9° E, 35° N and black: -8° E, 35° N.

The upper row displays ozone profiles ( $\text{nmol mol}^{-1}$ ) at model start ( 1 January 1998, 0 UTC, left), at 12 UTC (mid), and the difference between these profiles (right).

The lower row depicts profiles at 12 UTC of the photolysis frequency of  $\text{O}^1\text{D}$  (in  $10^5\text{s}^{-1}$ , left), of the relative humidity (in %, middle), and of the cloud cover (as fraction between 0 and 1, right).

2. the ozone tracer:

It is defined and modified by the submodel MECCA. Thus it is provided in the same way in DWARF as in fully-fledged basemodels.

3. the cosine of the zenith angle and the distance between sun and earth:

375

These are provided by the MESSy submodel ORBIT.

4. the ozone column above the model top and the solar cycle data:

These are made available from external data via IMPORT\_GRID for all basemodels.

**Table 4.** Prescribed cosine of the solar zenith angle of the kinetic box model study (Box1), the hours at which the sun is "switched on" and "off", and the respective line colour in Fig. 10.

cosine Zenith angle	start hour	end hour	line color
0.9	11	14	black
0.7	11	14	red
0.5	11	14	blue
0.7	11	12	light blue

5. pressure at box mid-points and vertical interfaces:

380 These are, in this DWARF setup, calculated in the infrastructure submodel DATA from the height grid defined in the infrastructure submodel GRID\_DEF.

6. relative humidity, the land-sea fraction, the cloud-cover, and the albedo:

All four variables are usually provided by a dynamical basemodel, in this example, these are provided as external data, i.e., read by IMPORT\_GRID.

385 For the initialisation of the tracers a restart file from a former T42 EMAC simulation is used. Figure 8 displays the initial surface mixing ratio of ozone. The chessboard pattern results from the remapping of the coarse T42 (approx.  $2.8^\circ \times 2.8^\circ$ ) resolution to the  $0.5^\circ \times 0.5^\circ$  grid of the DWARF.

390 As the reaction rates in MECCA depend on temperature, pressure, and humidity, the initialisation of these fields influences the simulated kinetics directly. Note, that in this setup these temperature, pressure and humidity fields are only initialised. For the sake of simplicity they are kept constant in time. Furthermore, the calculation of the photolysis frequencies (submodel JVAL) influences the chemistry and depends itself on solar activity, orbital parameters, pressure, ozone, the cloud cover, the relative humidity, the albedo, and on the surface type (land or sea).

To illustrate the spatial variation of these parameters, Fig. 9 displays vertical profiles at three different locations: **blue:**  $9^\circ \text{ E}$ ,  $49^\circ \text{ N}$ ; **red:**  $9^\circ \text{ E}$ ,  $35^\circ \text{ N}$  and **black:**  $-8^\circ \text{ E}$ ,  $35^\circ \text{ N}$ . These locations have been chosen w.r.t. the surface ozone (compare Fig. 8), for **low**, **medium**, and **high** surface ozone, respectively.

395 The upper row of Fig. 9 depicts the ozone profiles shortly after model start (left, annotated "initial"), at 12 UTC (middle), and the difference of these profiles (right). Ozone is lowest in the lowest model layer, while it is some orders of magnitude higher in the stratosphere (above approx. 250 hPa). However, the difference of the vertical profiles (right panel) between the initial condition and the 12 UTC vertical profile exhibits different time evolutions of the profiles in each box. The bottom row of Fig. 9 displays the respective vertical profiles of the photolysis frequency of  $\text{O}^1\text{D}$  ( $\text{O}_3 + h\nu \rightarrow \text{O}^1\text{D} + \text{O}_2$ , left), the relative humidity (mid), and the cloud cover (right). While the black and the red profiles are cloud free, the blue profile exhibits two distinct cloud layers in which the 100 % relative humidity level is exceeded and supersaturation persists. Below the lower level cloud, the photolysis frequency is much smaller than for the two profiles without clouds. Above the cloud the photolysis

**Table 5.** Emission times of OH and NO in the three simulations of the idealised kinetic box model study (Box2) and the respective line colour in Fig. 11.

OH emission time (UTC)	NO emission time (UTC)	line color
14	12	black
12	14	red
12	12	blue

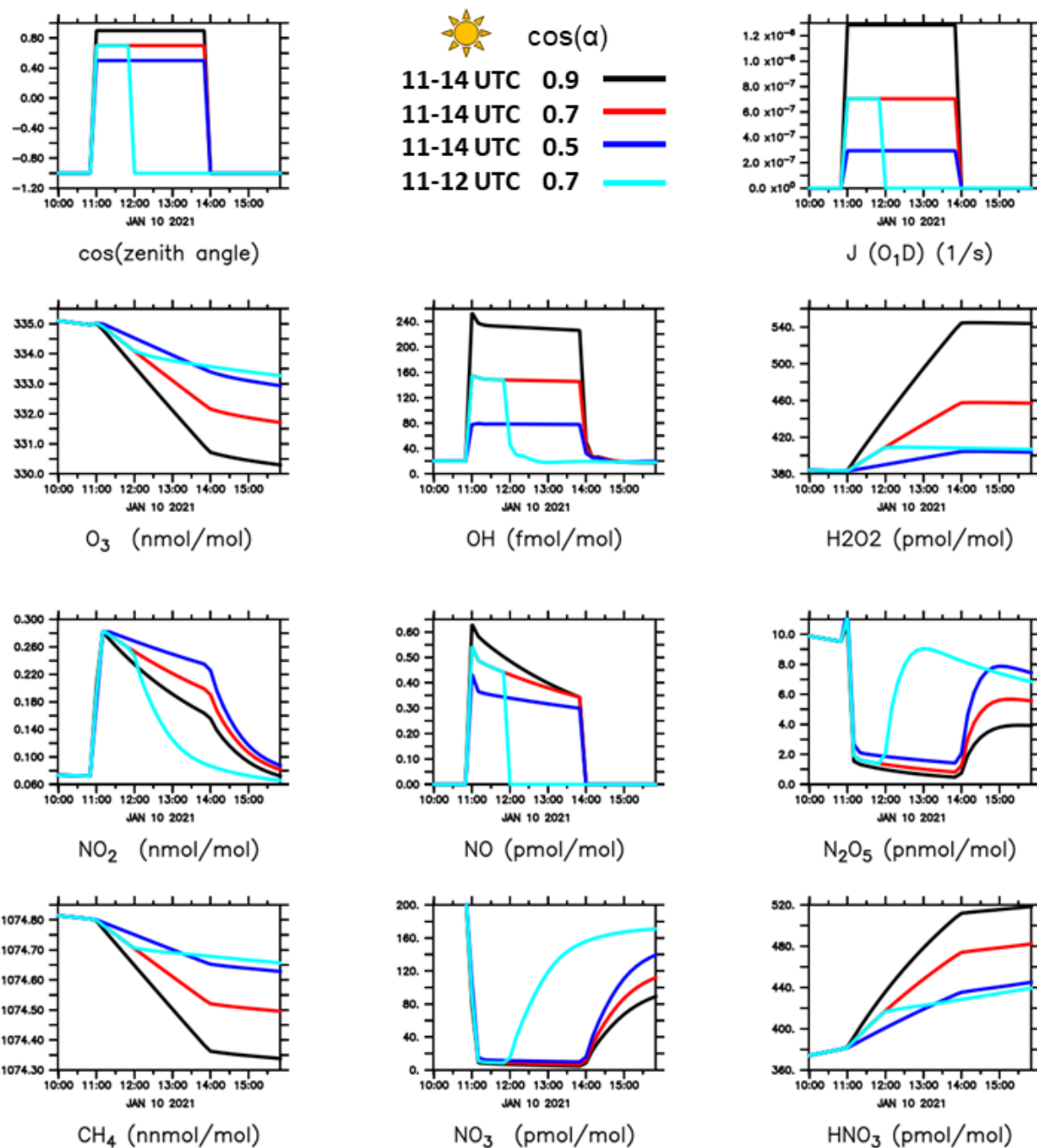
frequency is slightly enhanced (compared to the other two profiles), caused by the reflection of sunlight on top of the underlying cloud. While the red and the blue profiles are above land, the black profile is above the ocean. However, when comparing the  
405 red with the black profile, the red profile exhibits the much higher relative humidity, except for the lowest model layer. In the pressure range approximately between 980 and 500 hPa, the red profile contains much more water vapour. This is reflected in the photolysis frequencies, which are much lower for the red profile.

As atmospheric chemistry is a non-linear process, none of the shown aspects alone can explain the vertical profile of a specific chemical species, as here for example ozone. However, using a chemical box model provides an efficient tool to test  
410 dependencies on individual parameters. How such a box model can be build with the DWARF, and how it can be used, is explained in the next subsection.

### 4.3 The chemical box model

In contrast to the model setup described in the subsection above, this subsections deals with a single box model, i.e., `mgprow`, `mgpcol` and `nlev` are all 1, the bottom and the top height of this box are defined as `vc_heighti = 15.0, 5.0`, i.e.  
415 the box mid is 10 m above the surface. The geographical location of the box is Jülich, Germany (50.9° N, 6.4° E). In the first example, only the submodels MECCA and JVAL are used. All required parameters are prescribed as time series data via `IMPORT_TS`. The initialisation of the chemical species, if required, is taken from the same restart file as in the previous example. As photolysis frequencies depend on the light intensity, the MESSy submodel JVAL requires information about the ozone column above the simulated chemical box. This is no problem for a 3-dimensional dynamical model (additional  
420 information about the upper atmosphere ozone content is always required as input to JVAL), however, if only one single box should be simulated, this profile information is missing. To enable the usage of JVAL also for single box model experiments, JVAL has been expanded by the option to use an artificial profile as vertical column information. Appendix B provides further information about this expansion of JVAL.

The following two examples are shown to demonstrate how sensitivity studies could be easily performed with such a box  
425 model.



**Figure 10.** Time evolution of different parameters and chemical species in a chemical box model simulation. Here, the cosine of the solar zenith angle (upper left panel) is the input parameter varied (see also Tab. 4).

### 4.3.1 Sensitivity to solar radiation

Four simulations (Box1 in Tabs. 2 and 3) have been performed varying only one input parameter: the cosine of the solar zenith angle. Tables 3 and 4 provide an overview of the different simulations. The simulations were started at midnight in darkness. The sun was "switched on" at 11 UTC and switched off again at 14 UTC in three of the simulations, while in the simulation  
430 depicted in lightblue, darkness prevails already from 12 UTC on.

Exemplary for all, the photolysis frequency of the reaction  $J(O^1D): O_3 + h\nu \rightarrow O(^1D) + O_2$  is shown in Fig. 10. Naturally, the photolysis frequency depends on the solar zenith angle, the higher the sun above the horizon, the larger the photolysis frequency. This artificially triggered onset and offset of photochemistry is mirrored in the time evolution of all nine chemical species depicted in the remaining nine panels. The higher the photolysis frequencies are, the faster

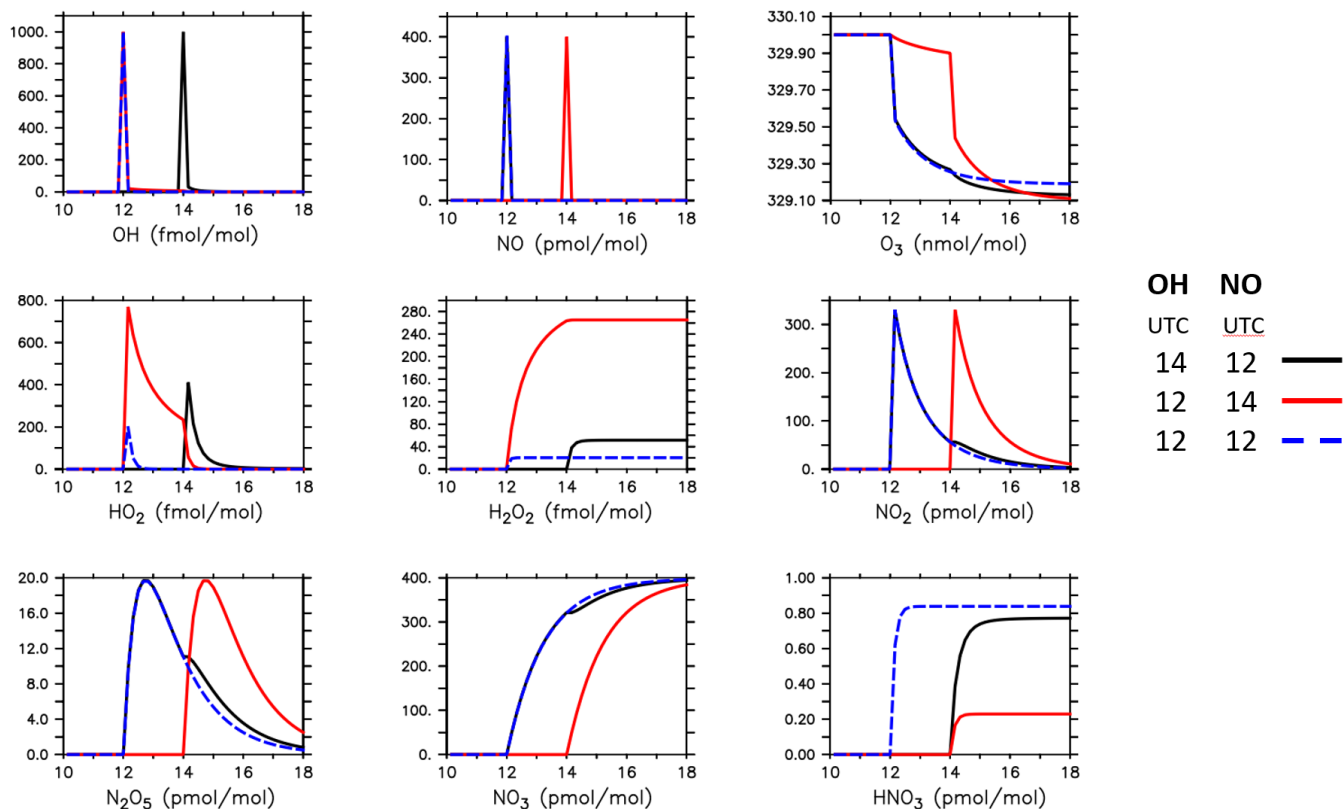
- 435
- ozone decreases (mainly due to  $O_3 + h\nu \rightarrow O(^1D) + O_2$ ),
  - OH increases (mainly driven by  $O(^1D) + H_2O \rightarrow 2OH$ ),
  - $H_2O_2$  increases (mainly due to  $2HO_2 \rightarrow H_2O_2 + O_2$ ),
  - methane decreases (mainly driven by  $CH_4 + OH \rightarrow CH_3 + H_2O$ ), and
  - $HNO_3$  increases (mainly due to  $NO_2 + OH \rightarrow HNO_3$ ).

440 The other species show a much more complicated time evolution, visualising the non-linear interactions in atmospheric chemistry.

### 4.3.2 Idealised experiment

The second example (Box2) presents a very idealised setup. In a simulation running from 10 UTC to 18 UTC, all chemical species except for ozone are initialised with zero. Ozone is initialised with a mixing ratio of  $330 \text{ nmol mol}^{-1}$ . Photochemistry  
445 is "switched off", as the cosine of the solar zenith angle is set to  $-1$ . The simulation setups trigger OH and NO emissions at 12 UTC and / or 14 UTC. Table 5 provides an overview of the setups. The results (Fig. 11) show a clear dependence of the production and destruction of the individual species on the emission times of NO and OH:

- Ozone is more efficiently destroyed by NO. If OH and NO are emitted at the same time, competing reactions lead to overall less ozone destruction (= larger ozone mixing ratio at the end of the simulation).
- 450
- If only OH is emitted first,  $HO_2$  forms most efficiently, because nitrogen oxides do not compete with the  $HO_2$  building reactions  $O_3 + OH \rightarrow HO_2 + O_2$ . Consequently, also  $H_2O_2$  is build most efficiently, if OH is emitted first.
  - Nitrogen oxides can only build, if NO is emitted.  $NO_2$  is produced most efficiently, but also  $NO_3$  and consequently  $N_2O_5$  build up, if NO is emitted into the system.



**Figure 11.** Time evolution of chemical species in a chemical box model simulation. Only ozone ( $O_3$ ) was initialised. OH and NO were emitted at 12:00 and 14:00 in different order (see text and Tab. 5 for the respective line colours).

**Table 6.** Runtime comparison between CPU and GPU for 2 chemical mechanisms (MIM and MOM) on one JUWELS BOOSTER node .

	overall runtime [s]		speedup	kinetics runtime [s]		speedup
	CPU	GPU		CPU	CPU	
MIM	23.6	10	2.36	16.5	3.21	5.14
MOM	244.1	58	4.21	213.03	27.71	7.69

455 –  $HNO_3$  can only be build ( $NO_2 + OH \rightarrow HNO_3$ ), if hydrogen and nitrogen are both added to the system. It forms most efficiently, if OH and NO are emitted simultaneously. By far less  $HNO_3$  forms, if OH is added first, as in this case, most hydrogen ends up in  $H_2O_2$ , which cannot be converted to  $HNO_3$  without photochemistry.

#### 4.4 Performance tests: GPU port of chemical kinetics

This last example illustrates the usefulness of the DWARF for performance analysis. Analysing a specific submodel is much easier if the model configuration can be significantly simplified compared to complex basemodels. A smaller code base allows





**Figure 12.** Example of an NVTX tracing with the Nvidia NSight System tool for the DWARF integration of the MIM chemical mechanism. Visualised are two subsequent time steps including the call of the kinetics integration: upper panel - CPU only, lower panel - kinetics integration on GPUs.

460 for a simpler and faster usage of performance analysis tools, as the time required to create the run time profiles is significantly reduced.

Here, the same simple 3-dimensional setup, as described in Sect. 4.2, was used to analyse and compare the run times of the MECCA submodel operated either entirely on CPUs or executing the chemical kinetic calculations on GPUs. The MEDINA tool (Alvanos and Christoudias, 2017; Christoudias et al., 2021) was used to create the CUDA code of the kinetics integration.

465 Additionally, MECCA ran with 2 different reaction mechanisms: The standard mechanism (MIM, Mainz Isoprene Mechanism) taking into account 159 species and 360 reactions. The more complex mechanism based on MOM (Mainz Organic Mechanism, Sander et al., 2019) has 729 species with 2193 reactions. Obviously, due to the larger matrix to be solved, it is expected, that the more complex mechanism shows even greater speedup on GPU. Profiling was done with the NVIDIA Nsight Systems tool (<https://developer.nvidia.com/nsight-systems> last access 2024-03-25) on the JUWELS BOOSTER HPC system (Jülich Supercomputing Centre, 2021) by adding special markers to the DWARF code to enable the tracing of the code parts which are of interest here. On this machine one compute node equipped with 2 AMD EPYC 7402 processors and 4 NVIDIA A100 40GB was used. For the CPU run the GPUs were disabled. The run times<sup>5</sup> of the integration phase for these variants are displayed in Tab. 6. Additionally, Fig. 12 visualises the tracing displayed by the Nvidia Nsight Systems Tool for two subsequent time loop passes during the integration. Here, `mecca_physc` contains the call to the kinetic solver. Obviously, running the kinetic solver on GPUs speeds up the integration of the kinetics per se (Tab. 6, right), but also the overall run time (Tab. 6, left) is reduced by a substantial amount, i.e., a factor 2.36 and 4.21 for MIM and MOM, respectively. The more complex chemistry shows a much higher speedup, as the larger vector of chemical species results in more calculations, which can utilise better the capability of the GPUs.

<sup>5</sup>The first timestep was excluded to avoid measuring the onetime GPU initialisation.

## 5 Summary and Outlook

480 The new MESSy generic basemodel DWARF is presented here. It was developed to provide the basis for a unified testing of individual MESSy submodels, for model performance analysis and improvement and, last but not least, as basis for setting up simplified models (e.g. box and column models) in a standardized way, by using all functionalities provided by the MESSy framework.

The examples presented in Sect. 4 of this article illustrate that the DWARF works, as intended, as simple process submodel  
485 test tool (Sect. 4.1), as 3-dimensional atmospheric chemistry multi-box model (Sect. 4.2), as 0-dimensional box model for atmospheric chemistry sensitivity simulations (Sect. 4.3), and for performance tests when porting an individual submodel to GPUs (Sect. 4.4).

While these are basically technical further developments of the infrastructure of the DWARF, the DWARF has already been used for a larger technical development project in the framework of the natESM project (<https://www.nat-esm.de>; last  
490 access: 2024-01-10). The aim of the project was to develop a concept for a MESSy infrastructure expansion to trigger copies between CPU and GPU memory most efficiently in MESSy setups, where only parts of the MESSy submodels are ported to GPU. To enable an easy start for the programmer from the natESM project, we developed a DWARF setup employing only some artificial tracers and with five specialized submodels using the basic data handling and communication procedures of the MESSy infrastructure (i.e., from the TRACER, CHANNEL and TENDENCY infrastructure submodels). With this, the  
495 programmer could start relatively quickly with the actual code developments, while when using a comprehensive MESSy setup including a legacy dynamic model and atmospheric chemistry, it would have taken much longer for the programmer to understand the concepts and methods of the MESSy infrastructure submodels<sup>6</sup>.

The MESSy DWARF is also in use for a scientific application. Within a PhD project, the chemistry box model DWARF setup as presented in Sect. 4.3 is further developed to be applicable for the analysis of experiments as e.g., performed within  
500 the atmospheric simulation chambers SAPHIR (Novelli et al., 2018; Franco et al., 2021), SAPHIR-STAR (Baker et al., 2023) and BATCH (Löher et al., 2024). This way, the improvements in the multiphase chemical kinetic model of MECCA, e.g. recent ones such as Soni et al. (2023); Wieser et al. (2023), can be applied and tested readily in the MESSy framework for the global troposphere (Rosanka et al., 2024).

The implementation of the DWARF is at some points limited and has potential to be improved further. For example in  
505 future, the rather inflexible decomposition and corresponding MPI communication shall be performed via YAXT (Yet Another eXchange Tool, <https://dkrz-sw.gitlab-pages.dkrz.de/yaxt> (last access: 2024-01-10) ) to make it more flexible. Among other advantages, this helps to get at least the MESSy DWARF code independent of license restricted software parts, which currently prevent MESSy from becoming open source. In another ongoing project, the simple grid currently defined for DWARF will be optionally replaceable by grids defined by the t8code library (<https://dlr-amr.github.io/t8code> ; last access: 2024-01-10), which  
510 features adaptive mesh refinement.

---

<sup>6</sup>The development of the MESSy infrastructure expansion for GPUs will be published elsewhere, once it has been finalized.

### . Code and data availability

The Modular Earth Submodel System (MESSy, The MESSy Consortium (2023b)) is being continuously further developed and applied by a consortium of institutions. The usage of MESSy and access to the source code is licenced to all affiliates of institutions who are members of the MESSy Consortium. Institutions can become a member of the MESSy Consortium by signing the MESSy Memorandum of Understanding. More information can be found on the MESSy Consortium website (<http://www.messy-interface.org>). The reason for this license restriction is that many code parts of MESSy (and also its infrastructure) are adopted from license bound code, which cannot be made available as open source easily. Especially for the DWARF, the DWARF specific parts of the MPI infrastructure model have been adopted from the COSMO model, to which access is limited by a license. The MESSy consortium is working on clarifying all licenses and providing MESSy under an open source licence. However, as this is a very tedious process, including many institutions and different licenses, we cannot wait with the publication of the concept of the DWARF until all license issues are clarified. Especially, as the DWARF is already used for scientific and technical projects, and therefore should be citable. The code presented here was developed based on MESSy version 2.55.2 and will be available in the next official release and is available and permanently archived at zenodo (The MESSy Consortium, 2023a).

Plot scripts and data displayed in the figures of this article are available in the supplement, as is a Manual for the MESSy DWARF.

### Appendix A: The CHANNEL submodel

The MESSy infrastructure submodel CHANNEL provides data types and methods for the memory management and data export within MESSy. It is described in detail by Jöckel et al. (2010) and the corresponding supplement. Here, we briefly explain the terms used in the present manuscript. For further details, please refer to Jöckel et al. (2010).

CHANNEL organises the memory in so-called *channels*, which consist of the so-called *channel objects*. A *channel object* is an individual data object comprising a pointer to the actual memory storing the contents of a variable and additional meta-data such as a name and further attributes describing the object in more detail (e.g. units, descriptive long names, etc.). A *channel object* moreover contains information about the geometry of the object, i.e., its spatial dimensions as well as information about its parallel decomposition. To access a *channel object* two strings need to be specified, i.e., (i) the name of the channel and (ii) the name of the *channel object* itself.

### Appendix B: External vertical profile information in JVAL

As discussed in Sect. 4.3, JVAL requires the vertical profile of some variables. In a MESSy configuration coupled to a 3-dimensional dynamical model, the column information is present and additional information about the ozone profile even above the top of the dynamical model is imported via IMPORT\_GRID (see Sander et al., 2014, for further details). If JVAL is used in a single box model simulation, no such column information is available. To close this gap, JVAL was extended to use externally provided vertical profile information in box model applications. This mode is triggered by setting the &CTRL namelist parameter `l_artif_vprof .TRUE.` In this case, the additional namelist &CPL\_PROF is read:

```
&CPL_PROF
prof_nlev = 19,
inp_prof_temp = 'import_ts', 'tempprof',
inp_prof_press = 'import_ts', 'pressprof',
```

```

545 inp_prof_rhum  = 'import_ts', 'rhumprof',
    inp_prof_clp  = 'import_ts', 'clpprof',
    inp_prof_aclc = 'import_ts', 'aclcprof',
    inp_prof_o3   = 'import_ts', 'O3_H',
    inp_prof_v3   = 'import_ts', 'V3_H',
550 inp_prof_slf   = 'import_grid', 'inp2d_slf',
    /

```

prof\_nlev defines the number of vertical levels. In the example, 19 levels are provided. The required information are temperature (K), pressure (Pa), relative humidity (%), cloudiness (-), cloud cover (-), the ozone mixing ratio ( $\text{mol mol}^{-1}$ ) in the respective layer, and the ozone column above the respective level (in  $\text{molecules cm}^{-2}$ ). These data is read in via IMPORT\_TS.

555 Furthermore, the sea-land fraction is required as input. In the example this is provided via remapping of a 2-dimensional field by IMPORT\_GRID.

### Appendix C: The MESSy submodel PTRACINI

The submodel PTRACINI (Prognostic TRACer INItialisation) was developed and used for stratosphere-troposphere transport diagnostics by Hofmann et al. (2016). In the meantime, the submodel was expanded. Most importantly, while Hofmann et al. (2016) prescribed the initial value with  $10^{-7}$ , the initial value can now be provided by namelist, either as constant or as channel object. The following overview of the submodel PTRACINI focuses on those functionalities required for the DWARF box model applications as presented in Sect. 4.3.

PTRACINI allows for the emission of tracers (defined elsewhere) dependent on prescribed criteria. The emission proceeds

- either once, at one single point in time, indicated by the parameter `TRINI(.)%inistep`, or
- 565 – in regular intervals, if the interval is provided via an event, e.g., `TRINI(.)%EMIS_IOEVENT = 1, 'hours', 'first', 0.`
- The time of the (first) emission is defined via the parameter `TRINI(.)%EVENT_START`

See the TIMER manual available in Jöckel et al. (2010) for further information about events.

For the definitions of the criteria the following operators are available:

`>`, `>=`, `<`, `<=`

570 Figure C1 displays an example namelist file `ptracini.nml`, showing how the criteria can be defined:

1. In the first example (`TRINI(1)`) the tracer NO is initialised to the mixing ratio of  $4 \times 10^{-10} \text{mol mol}^{-1}$  at one single time step, i.e. on 10 January 2021, 12 UTC.
2. In the second example (`TRINI(2)`) the tracer OH is initialised and repeatedly reset to a mixing ratio of  $10^{-10} \text{mol mol}^{-1}$ . The initialisation takes place on 10 January 2021, 14 UTC and is reset to this value every hour.

```

!-----
! *- f90 -*-
&CPL
inp_press = 'dwarf','press'

! SYNTAX for SET:
!INI1STEP:      - for onetime initialisation (if T, EMIS_IOEVENT is ignored,
!                if F, EVENT_START is ignored )
!EVENT_START:   - set for onetime initialisation, is ignored for INI1STEP=F
!                - exact date to start the event (has to be a multiple of the
!                timestep, because exact time is prompted)
!EMIS_IOEVENT:  - set for continous initialisation, is ignored for INI1STEP=T
!                - use step-intervall (otherwise oszillation for leapfrog scheme)
!IFNOT:         - if T, field is initialised when crits are NOT fullfilled
!
!TRACER: 'name_tr1', 'subname_tr1', 'name_tr2', 'subname_tr2', ...
!CRIT:  'channel', 'object', 'crit', const(_dp!) , 'compfld_cha','compfld_obj'

TRINI(1)%INI1STEP = T
TRINI(1)%EVENT_START = 2021,01,10,12,00,0
TRINI(1)%TRACER = 'NO',' ',' ',' ',' ',' ',' ',' ',' ',' ',' ',' ',
TRINI(1)%CRIT(1)=' ',' ','IF',4.e-10,' ',' '
!
TRINI(2)%INI1STEP = F
TRINI(2)%EVENT_START = 2021,01,10,14,00,0
TRINI(2)%EMIS_IOEVENT = 1,'hours','first',0
TRINI(2)%TRACER = 'OH',' ',' ',' ',' ',' ',' ',' ',' ',' ',' ',
TRINI(2)%CRIT(1)=' ',' ','IF',1.e-12,' ',' '
!
TRINI(3)%INI1STEP = F
TRINI(3)%EVENT_START = 2021,01,10,12,00,0
TRINI(3)%EMIS_IOEVENT = 1,'steps','first',0
TRINI(3)%TRACER = 'HNO3',' ',' ',' ',' ',' ',' ',' ',' ',' ',' ',
TRINI(3)%CRIT(1)=' ',' ','IF',1.e-12,' ',' '
!
TRINI(4)%INI1STEP = T
TRINI(4)%EVENT_START = 2021,01,10,12,06,0
TRINI(4)%IFNOT = F
TRINI(4)%TRACER = '4pvu',' ',' ',' ',' ',' ',' ',' ',' ',' ',' ',
TRINI(4)%CRIT(1)='${MINSTANCE[$i]}','press','<=',90000,' ',' '
TRINI(4)%CRIT(2)='${MINSTANCE[$i]}','press','>=',15000,' ',' '
TRINI(4)%CRIT(3)='tropop','PV','>=',4,' ',' '
TRINI(4)%CRIT(4)='tracer_gp','qv','<=',0.001,' ',' '
/
!-----

```

**Figure C1.** Example namelist file ptracini.nml of the MESSy submodel PTRACINI.

- 575 3. The third example (`TRINI(3)`) is similar to the second example. The difference here is the definition of the event. By defining the event to 1, 'steps' the mixing ratio is reset every time step back to  $10^{-10} \text{ mol mol}^{-1}$ .
4. The last example shows how criteria can be used. In this case the tracer 4pvu is initialised, if the pressure is between 900 and 150 hPa. Additionally, the potential vorticity (provided by the submodel TROPOP) needs to be larger than 4 PVU and the specific humidity has to be smaller than  $0.001 \text{ kg kg}^{-1}$ .

580 . *Author contribution* AK developed the overall DWARF concept, programmed it and wrote the largest part of the manuscript and the supplement. All authors contributed to the final stage of the manuscript. HDD further developed and tested the chemical box model. TK used the DWARF for GPU performance tests and wrote Sect. 4.4. SG tested the runability of the DWARF on the Juwels Cluster / Booster with different compilers. PJ and AK discussed the implementation of the DWARF according to the overall MESSy concept.

585 . *Competing interests* Astrid Kerckweg is an executive editor of GMD. Patrick Jöckel is topical editor of GMD. All other authors declare, that there are no competing interests

. *Acknowledgements* The MESSy DWARF was developed within the "Helmholtz-Inkubator Information & Data Science" project Pilot Lab Exascale Earth System Modelling (PL-ExaESM, <https://www.fz-juelich.de/en/ias/jsc/projects/pl-exaesm> : last access: 2024-03-25).

This work used resources of the Deutsches Klimarechenzentrum (DKRZ) granted by its Scientific Steering Committee (WLA) under project ID 677.

590 The authors gratefully acknowledge the Earth System Modelling Project (ESM) for funding this work by providing computing time on the ESM partition of the supercomputer JUWELS (2021) at the Jülich Supercomputing Centre (JSC).

## References

- Alvanos, M. and Christoudias, T.: GPU-accelerated atmospheric chemical kinetics in the ECHAM/MESSy (EMAC) Earth system model (version 2.52), *Geoscientific Model Development*, 10, 3679–3693, <https://doi.org/10.5194/gmd-10-3679-2017>, 2017.
- 595 Baker, Y., Kang, S., Wang, H., Wu, R., Xu, J., Zanders, A., He, Q., Hohaus, T., Ziehm, T., Geretti, V., Bannan, T. J., O’Meara, S. P., Voliotis, A., Hallquist, M., McFiggans, G., Zorn, S. R., Wahner, A., and Mentel, T.: Impact of HO<sub>2</sub>/RO<sub>2</sub> ratio on highly oxygenated  $\alpha$ -pinene photooxidation products and secondary organic aerosol formation potential, *EGUosphere*, 2023, 1–32, <https://doi.org/10.5194/egusphere-2023-2402>, 2023.
- Christoudias, T., Kirfel, T., Kerkweg, A., Taraborrelli, D., Moulard, G.-E., Raffin, E., Azizi, V., Oord, G. v. d., and Werkhoven, B. v.: GPU Optimizations for Atmospheric Chemical Kinetics, in: *The International Conference on High Performance Computing in Asia-Pacific Region, HPC Asia 2021*, pp. 136–138, Association for Computing Machinery, New York, NY, USA, ISBN 978-1-4503-8842-9, <https://doi.org/10.1145/3432261.3439863>, 2021.
- 600 Dietmüller, S., Jöckel, P., Tost, H., Kunze, M., Gellhorn, C., Brinkop, S., Frömming, C., Ponater, M., Steil, B., Lauer, A., and Hendricks, J.: A new radiation infrastructure for the Modular Earth Submodel System (MESSy, based on version 2.51), *Geoscientific Model Development*, 9, 2209–2222, <https://doi.org/10.5194/gmd-9-2209-2016>, 2016.
- 605 Doms, G. and Baldauf, M.: A Description of the Nonhydrostatic Regional COSMO-Model, Part-I: Dynamics and Numerics, Tech. rep., Deutscher Wetterdienst, Consortium for Small-Scale Modelling, [https://doi.org/10.5676/DWD\\_pub/nwv/cosmo-doc\\_6.00\\_I](https://doi.org/10.5676/DWD_pub/nwv/cosmo-doc_6.00_I), 2021.
- Eichinger, R. and Jöckel, P.: The generic MESSy submodel TENDENCY (v1.0) for process-based analyses in Earth system models, *Geoscientific Model Development*, 7, 1573–1582, <https://doi.org/10.5194/gmd-7-1573-2014>, 2014.
- 610 Franco, B., Blumenstock, T., Cho, C., Clarisse, L., Clerbaux, C., Coheur, P.-F., De Mazière, M., De Smedt, I., Dorn, H.-P., Emmerichs, T., Fuchs, H., Gkatzelis, G., Griffith, D. W. T., Gromov, S., Hannigan, J. W., Hase, F., Hohaus, T., Jones, N., Kerkweg, A., Kiendler-Scharr, A., Lutsch, E., Mahieu, E., Novelli, A., Ortega, I., Paton-Walsh, C., Pommier, M., Pozzer, A., Reimer, D., Rosanka, S., Sander, R., Schneider, M., Strong, K., Tillmann, R., Van Roozendaal, M., Vereecken, L., Vigouroux, C., Wahner, A., and Taraborrelli, D.: Ubiquitous atmospheric production of organic acids mediated by cloud droplets, *Nature*, 593, 233–237, <https://doi.org/10.1038/s41586-021-03462-x>, number: 7858 Publisher: Nature Publishing Group, 2021.
- 615 Hofmann, C., Kerkweg, A., Hoor, P., and Jöckel, P.: Stratosphere-troposphere exchange in the vicinity of a tropopause fold, *Atmospheric Chemistry and Physics Discussions*, 2016, 1–26, <https://doi.org/10.5194/acp-2015-949>, 2016.
- Jöckel, P., Sander, R., Kerkweg, A., Tost, H., and Lelieveld, J.: Technical Note: The Modular Earth Submodel System (MESSy) - a new approach towards Earth System Modeling, *Atmospheric Chemistry and Physics*, 5, 433–444, <https://doi.org/10.5194/acp-5-433-2005>, 2005.
- 620 Jöckel, P., Kerkweg, A., Pozzer, A., Sander, R., Tost, H., Riede, H., Baumgaertner, A., Gromov, S., and Kern, B.: Development cycle 2 of the modular earth submodel system (MESSy2), *Geoscientific Model Development*, 3, 717–752, <https://doi.org/10.5194/gmd-3-717-2010>, 2010.
- Jöckel, P., Tost, H., Pozzer, A., Kunze, M., Kirner, O., Brenninkmeijer, C. A. M., Brinkop, S., Cai, D. S., Dyroff, C., Eckstein, J., Frank, F., Garny, H., Gottschaldt, K.-D., Graf, P., Grewe, V., Kerkweg, A., Kern, B., Matthes, S., Mertens, M., Meul, S., Neumaier, M., Nützel, M., Oberländer-Hayn, S., Ruhnke, R., Runde, T., Sander, R., Scharffe, D., and Zahn, A.: Earth System Chemistry integrated Modelling (ESCiMo) with the Modular Earth Submodel System (MESSy) version 2.51, *Geoscientific Model Development*, 9, 1153–1200, <https://doi.org/10.5194/gmd-9-1153-2016>, 2016.

- Jöckel, P., Kerkweg, A., Buchholz-Dietsch, J., Tost, H., Sander, R., and Pozzer, A.: Technical note: Coupling of chemical processes with the modular earth submodel system (MESSy) submodel TRACER, *Atmos. Chem. Phys.*, 8, 1677–1687, 2008.
- Jones, P.: First- and Second-Order Conservative Remapping Schemes for Grids in Spherical Coordinates, *Mon. Weather Rev.*, 127, 2204–2210, 1999.
- Jülich Supercomputing Centre: JUWELS Cluster and Booster: Exascale Pathfinder with Modular Supercomputing Architecture at Juelich Supercomputing Centre, *Journal of large-scale research facilities*, 7, <https://doi.org/10.17815/jlsrf-7-183>, 2021.
- Kerkweg, A. and Jöckel, P.: The 1-way on-line coupled atmospheric chemistry model system MECO(n) – Part 1: Description of the limited-area atmospheric chemistry model COSMO/MESSy, *Geoscientific Model Development*, 5, 87–110, <https://doi.org/10.5194/gmd-5-87-2012>, 2012.
- Kerkweg, A. and Jöckel, P.: The infrastructure MESSy submodels GRID (v1.0) and IMPORT (v1.0), *Geoscientific Model Development Discussions*, 8, 8607–8633, <https://doi.org/10.5194/gmdd-8-8607-2015>, 2015.
- Kerkweg, A., Hofmann, C., Jöckel, P., Mertens, M., and Pante, G.: The on-line coupled atmospheric chemistry model system MECO(n) – Part 5: Expanding the Multi-Model-Driver (MMD v2.0) for 2-way data exchange including data interpolation via GRID (v1.0), *Geoscientific Model Development*, 11, 1059–1076, <https://doi.org/10.5194/gmd-11-1059-2018>, 2018.
- Löher, F., Borrás, E., Muñoz, A., and Nölscher, A. C.: Characterization of the new BATCH Teflon chamber and on-line analysis of isomeric multifunctional photooxidation products, *EGUphere*, 2024, 1–43, <https://doi.org/10.5194/egusphere-2024-531>, 2024.
- The MESSy Consortium: The Modular Earth Submodel System (2.55.2-dwarf), *Zenodo[code]*, <https://doi.org/10.5281/zenodo.12089833>, 2023a.
- The MESSy Consortium: The Modular Earth Submodel System, *Zenodo[code]*, <https://doi.org/10.5281/zenodo.8360186>, 2023b.
- Messer, O. B., D’Azevedo, E., Hill, J., Joubert, W., Berrill, M., and Zimmer, C.: MiniApps derived from production HPC applications using multiple programming models, *The International Journal of High Performance Computing Applications*, 32, 582–593, <https://doi.org/10.1177/1094342016668241>, 2018.
- Müller, A., Deconinck, W., Kühnlein, C., Mengaldo, G., Lange, M., Wedi, N., Bauer, P., Smolarkiewicz, P. K., Diamantakis, M., Lock, S.-J., Hamrud, M., Saarinen, S., Mozdzyński, G., Thiemert, D., Glington, M., Bénard, P., Voitus, F., Colavolpe, C., Marguinaud, P., Zheng, Y., Van Bever, J., Degrauwe, D., Smet, G., Termonia, P., Nielsen, K. P., Sass, B. H., Poulsen, J. W., Berg, P., Osuna, C., Fuhrer, O., Clement, V., Baldauf, M., Gillard, M., Szmelter, J., O’Brien, E., McKinstry, A., Robinson, O., Shukla, P., Lysaght, M., Kulczewski, M., Ciznicki, M., Piątek, W., Ciesielski, S., Błazewicz, M., Kurowski, K., Procyk, M., Sychala, P., Bosak, B., Piotrowski, Z. P., Wyszogrodzki, A., Raffin, E., Mazauric, C., Guibert, D., Douriez, L., Vigouroux, X., Gray, A., Messmer, P., Macfaden, A. J., and New, N.: The ESCAPE project: Energy-efficient Scalable Algorithms for Weather Prediction at Exascale, *Geoscientific Model Development*, 12, 4425–4441, <https://doi.org/10.5194/gmd-12-4425-2019>, 2019.
- Novelli, A., Kaminski, M., Rolletter, M., Acir, I.-H., Bohn, B., Dorn, H.-P., Li, X., Lutz, A., Nehr, S., Rohrer, F., Tillmann, R., Wegener, R., Holland, F., Hofzumahaus, A., Kiendler-Scharr, A., Wahner, A., and Fuchs, H.: Evaluation of OH and HO<sub>2</sub> concentrations and their budgets during photooxidation of 2-methyl-3-butene-2-ol (MBO) in the atmospheric simulation chamber SAPHIR, *Atmospheric Chemistry and Physics*, 18, 11 409–11 422, <https://doi.org/10.5194/acp-18-11409-2018>, 2018.
- Rockel, B., Will, A., and Hense, A.: The Regional Climate Model COSMO-CLM (CCLM), *Meteorologische Zeitschrift*, 17, 347–348, 2008.
- Roeckner, E., Brokopf, R., Esch, M., Giorgetta, M., Hagemann, S., Kornblüeh, L., Manzini, E., Schlese, U., and Schulzweida, U.: Sensitivity of simulated climate to horizontal and vertical resolution in the ECHAM5 atmosphere model, *Journal of Climate*, 19, 3771–3791, 2006.



- Rosanka, S., Tost, H., Sander, R., Jöckel, P., Kerkweg, A., and Taraborrelli, D.: How non-equilibrium aerosol chemistry impacts particle acidity: the GMXe AERosol CHEMistry (GMXe–AERCHEM, v1.0) sub-submodel of MESSy, *Geoscientific Model Development*, 17, 2597–2615, <https://doi.org/10.5194/gmd-17-2597-2024>, publisher: Copernicus GmbH, 2024.
- 670 Sander, R., Kerkweg, A., Jöckel, P., and Lelieveld, J.: Technical note: The new comprehensive atmospheric chemistry module MECCA, *Atmospheric Chemistry and Physics*, 5, 445–450, <https://doi.org/10.5194/acp-5-445-2005>, 2005.
- Sander, R., Jöckel, P., Kirner, O., Kunert, A. T., Landgraf, J., and Pozzer, A.: The photolysis module JVAL-14, compatible with the MESSy standard, and the JVal PreProcessor (JVPP), *Geoscientific Model Development*, 7, 2653–2662, <https://doi.org/10.5194/gmd-7-2653-2014>, 2014.
- 675 Sander, R., Baumgaertner, A., Cabrera-Perez, D., Frank, F., Gromov, S., Groß, J.-U., Harder, H., Huijnen, V., Jöckel, P., Karydis, V. A., Niemeyer, K. E., Pozzer, A., Riede, H., Schultz, M. G., Taraborrelli, D., and Tauer, S.: The community atmospheric chemistry box model CAABA/MECCA-4.0, *Geoscientific Model Development*, 12, 1365–1385, <https://doi.org/10.5194/gmd-12-1365-2019>, 2019.
- Soni, M., Sander, R., Sahu, L. K., Taraborrelli, D., Liu, P., Patel, A., Girach, I. A., Pozzer, A., Gunthe, S. S., and Ojha, N.: Comprehensive multiphase chlorine chemistry in the box model CAABA/MECCA: Implications to atmospheric oxidative capacity, *EGUsphere*, 2023, 1–24, <https://doi.org/10.5194/egusphere-2023-652>, 2023.
- 680 U.S. Government Printing Office, Washington, D.: U.S. Standard Atmosphere, 1976, [https://www.ngdc.noaa.gov/stp/space-weather/online-publications/miscellaneous/us-standard-atmosphere-1976/us-standard-atmosphere\\_st76-1562\\_noaa.pdf](https://www.ngdc.noaa.gov/stp/space-weather/online-publications/miscellaneous/us-standard-atmosphere-1976/us-standard-atmosphere_st76-1562_noaa.pdf), 1976.
- Wieser, F., Sander, R., and Taraborrelli, D.: Development of a multiphase chemical mechanism to improve secondary organic aerosol formation in CAABA/MECCA (version 4.5.6-rc.1), *Geoscientific Model Development Discussions*, 2023, 1–24, <https://doi.org/10.5194/gmd-2023-102>, 2023.