

SuperflexPy 1.3.0: An open source Python framework for building, testing and improving conceptual hydrological models

Marco Dal Molin^{1,2}, Dmitri Kavetski^{1,3,4}, Fabrizio Fenicia¹

¹ Eawag, Swiss Federal Institute of Aquatic Science and Technology, Dübendorf, Switzerland

5 ² Centre of Hydrogeology and Geothermics (CHYN), University of Neuchâtel, Neuchâtel, Switzerland

³ School of Civil, Environmental and Mining Engineering, University of Adelaide, SA, Australia

⁴ Civil, Surveying and Environmental Engineering, University of Newcastle, NSW, Australia

Correspondence to: Fabrizio Fenicia (fabrizio.fenicia@eawag.ch)

Abstract

10 Catchment-scale hydrological models are widely used to represent and improve our understanding of hydrological processes and to support operational water resources management. Conceptual models, which approximate catchment dynamics using relatively simple storage and routing elements, offer an attractive compromise in terms of predictive accuracy, computational demands, and amenability to interpretation. This paper introduces SuperflexPy, an open-source Python framework implementing the
15 SUPERFLEX principles (Fenicia et al., 2011) for building conceptual hydrological models from generic components, with a high degree of control over all aspects of model specification. SuperflexPy can be used to build models of a wide range of spatial complexity, ranging from simple lumped models (e.g. a reservoir) to spatially distributed configurations (e.g. nested sub-catchments), with the ability to customize all individual model components. SuperflexPy is a Python package, enabling modelers to
20 exploit the full potential of the framework without the need for separate software installations, and making it easier to use and interface with existing Python code for model deployment. This paper presents the general architecture of SuperflexPy, discusses the software design and implementation choices, and illustrates its usage to build conceptual models of varying degrees of complexity. The illustration includes the usage of existing SuperflexPy model elements, as well as their extension to implement new
25 functionality. Comprehensive documentation is available online and provided as supplementary material to this paper. SuperflexPy is available as open-source code, and can be used by the hydrological community to investigate improved process representations, for model comparison, and for operational work.

Table of Contents

	1	Introduction	3
	1.1	Conceptual hydrological models	3
35	1.2	Hydrological model structure and flexible modeling frameworks	4
	1.3	Aims.....	7
	2	Description of SuperflexPy	8
	2.1	General organization.....	8
	2.2	A simple illustration of SuperflexPy: creating a new model from existing components	11
40	2.3	Creating new model <i>components</i> with SuperflexPy.....	12
	3	Examples of building hydrological models using SuperflexPy.....	13
	3.1	Implementing SUPERFLEX configuration M4	13
	3.2	Changing the equations of the fast reservoir in M4.....	14
	3.2.1	General approach for creating a new reservoir with SuperflexPy.....	15
45	3.2.2	Simplified approach for creating a new reservoir element (from an existing element).....	16
	3.3	Implementing a distributed model.....	16
	4	Implementation details of SuperflexPy	18
	4.1	Parameters and states.....	18
	4.2	Modular design following the Object-Oriented paradigm.....	18
50	4.3	Numerical solution of ODEs	19
	4.4	Computational efficiency and language choice.....	20
	4.5	Ability to represent multiple fluxes and states	21
	5	Discussion.....	22
	5.1	Balancing functionality, scope, and usability in a flexible model implementation.....	22
55	5.1.1	Structural flexibility	22
	5.1.2	Spatial flexibility	23
	5.1.3	Usability	23
	5.1.4	Possibility of extension and customization	24
	5.1.5	Computational efficiency	25
60	5.2	Current restrictions in model structure specification.....	25
	5.3	Current usage and future developments	26
	6	Summary and conclusions.....	27
		Code availability	28
		Author contributions	28
65		Competing interests.....	29
		Acknowledgements	29
		Financial support.....	29
		References	29
		Figures.....	34

1 Introduction

1.1 Conceptual hydrological models

Catchment-scale hydrological models are widely used to predict catchment behavior under natural and human-impacted conditions, as well as to represent and improve our understanding of internal catchment functioning (e.g. Beven, 1989). For example, catchment models underlie projections of climate change impact on groundwater recharge and streamflow (e.g., Eckhardt and Ulbrich, 2003), are used as tools for hypothesis testing to identify dominant hydrological processes (e.g., Clark et al., 2011b; Hrachowitz et al., 2014; Wrede et al., 2015), and are used to inform agricultural practices such as irrigation scheduling (e.g., McInerney et al., 2018) and pesticide application (e.g., Moser et al., 2018; Ammann et al., 2020). The typical use of hydrological models is to simulate or forecast the streamflow response (runoff) of a catchment to rainfall forcing; for this reason they are often referred to as rainfall-runoff models (e.g., Moradkhani and Sorooshian, 2009). However, their application extends to the simulation of other environmental variables such as groundwater levels (e.g., Seibert and McDonnell, 2002) and soil moisture (e.g., Matgen et al., 2012), as well as water chemistry (e.g., Bertuzzo et al., 2013; Ammann et al., 2020).

An important class of catchment models are “process based” models, which attempt to explicitly describe the cascade of processes transforming catchment inputs (e.g. precipitation) into outputs (e.g. streamflow). These models are an appealing choice due to their broad physical underpinnings, as well as their ability to represent internal catchment processes and potential for predicting catchment responses under changing environmental conditions. Process based models can be classified according to the nature of their constitutive equations (e.g. conceptual or physically based) and their spatial resolution (e.g. lumped or distributed) (e.g., Refsgaard, 1996).

Conceptual models, where catchment dynamics are approximated using relatively simple storage and routing elements (e.g. Fenicia et al., 2011), are common in practice because they offer an attractive compromise in terms of predictive accuracy, computational demands, and amenability to interpretation. Common conceptual models include TopModel (Beven and Kirkby, 1979), HBV (Lindstrom et al., 1997), GR4J (Perrin et al., 2003), and HyMod (Boyle, 2001).

In terms of spatial resolution, conceptual models can be applied in a lumped configuration (treating the entire catchment as a single unit) if the interest is in modeling integrated catchment outputs (e.g. streamflow at the catchment outlet). Alternatively, distributed configurations can be used if the interest is in modeling hydrological behavior at internal locations (e.g., sub-catchments). In such distributed setups, the catchment is subdivided into spatial elements such as sub-catchments (e.g., Feyen et al., 2008; Lerat et al., 2012), Hydrological Response Units (HRUs) (e.g., Arnold et al., 1998; Fenicia et al., 2016; Dal Molin et al., 2020), or grids (e.g., Samaniego et al., 2010). A common strategy for developing distributed

105 conceptual models is to represent individual landscape elements using independent (non-interacting)
lumped models, and then obtain total catchment outflow by aggregating the outflows from these
individual models, potentially incorporating flow routing elements to represent routing delays. This
strategy is often referred to as “semi-distributed” modelling (e.g., Boyle et al., 2001), and typically
employs discretization based on principles of “hydrological similarity” (e.g., Sivapalan et al., 1987);
110 HRU-based discretization is particularly common (e.g., Leavesley, 1984). In many applications, semi-
distributed modelling achieves good predictive ability – while greatly simplifying model representation
and reducing computational demands compared to fully-integrated 2D/3D distributed models such as
Parflow (Maxwell, 2013) or Mike She (Refsgaard and Storm, 1995), which typically use much smaller
landscape elements and explicitly model lateral exchanges. For the purposes of this presentation, we
115 consider semi-distributed modelling to be a special case of distributed modelling.

1.2 Hydrological model structure and flexible modeling frameworks

The selection of model structure has preoccupied researchers and practitioners since the early days of
hydrological modelling (e.g., Ibbitt and O’Donnell, 1971; Moore and Clarke, 1981; Jakeman and
Hornberger, 1993). Although in principle the physical laws governing hydrological processes are the
120 same everywhere, the diversity of catchment conditions in terms of topography, soil, geology, vegetation,
and anthropogenic influence results in remarkably different manifestations of these physical laws at the
catchment scale. These local differences, also termed “uniqueness of place” (Beven, 2000), considerably
limit our ability to develop generalizable hydrological hypotheses (e.g., Wagener et al., 2007).

Model structure selection has motivated multiple research directions, including the search for a single
125 model structure that achieves good prediction across all catchments (the “fixed” model paradigm), and
the search for model structures best suited for specific locations and/or environmental conditions (the
“flexible” model paradigm). Whether in search of a single model or multiple models, model selection
necessarily relies on a process of model development, comparison, and refinement. Approaches to
formalize this process include the top-down approach (e.g. Sivapalan et al., 2003), the system
130 identification approach (e.g Young, 1998), and the method of multiple working hypotheses (e.g., Clark
et al., 2011a). These approaches are not mutually exclusive, as the notion of comparing multiple model
representations is ubiquitous in model development and empirical science in general.

The process of model development, comparison, and refinement can be facilitated using flexible modeling
frameworks, which enable hydrologists to hypothesize, implement, and (eventually) test and refine
135 different model structures. Flexible frameworks have themselves developed along multiple directions
according to their intended scopes of application. For example, GEOframe-NewAge (Formetta et al.,
2014), SUMMA (Clark et al., 2015), and CHM (Marsh et al., 2020) focus on the realm of physically

based models. The CAPTAIN toolbox (Young et al., 2009) is a general toolkit for time series analysis. Machine learning frameworks such as scikit-learn (Pedregosa et al., 2011) and PyTorch (Paszke et al., 140 2019) can be used to construct data driven models.

In this paper, we focus on flexible frameworks intended for conceptual hydrological modeling. Examples of such frameworks include FUSE (Clark et al., 2008), SUPERFLEX (Fenicia et al., 2011), CMF (Kraft et al., 2011), PERSiST (Futter et al., 2014), ECHSE (Kneis, 2015), MARRMoT (Knoben et al., 2019), and RAVEN (Craig et al., 2020).

145 When discussing a mathematical model, it is relevant to distinguish its conceptual principles from its software implementation. In the hydrological literature, modelling concepts and their software implementation have been presented both jointly and separately. For example, the original FUSE publication (Clark et al., 2008) introduced the modelling concepts, while subsequent work (Vitolo et al., 2016) provided an R implementation. The original SUPERFLEX publications presented the modelling 150 principles (Fenicia et al., 2011) and demonstrated its capabilities (Kavetski and Fenicia, 2011); while Fortran and Matlab implementations were developed as part of research work (e.g., David et al., 2019), these implementations have not been published or made available as standalone products. In contrast, some models, (e.g., MARRMoT) have been presented with a publication describing both the theoretical principles and the software implementation.

155 A software implementation should fulfill the intended goals of the flexible framework, in particular supporting the envisaged flexibility in terms of processes representation, spatial distribution, numerical solution methods, etc. The software implementation should also be accessible to users in terms of ease of installation, operation, eventual extension, etc. Existing frameworks approach these conceptual and practical requirements with different priorities, e.g., focusing on selected modelling objectives (e.g., 160 model mimicry) and/or limiting the range of applications (e.g., only to lumped setups), in order to simplify the model formulation and operation.

In terms of application scope of a flexible framework for conceptual hydrological modeling, we focus on the following “realms”:

1. Lumped models;
- 165 2. Distributed setups, including simulation of sub-catchments and flows/processes at internal points;
3. Ability to reproduce existing models, when necessary.
4. Support or extendibility for future applications, e.g. substance transport modelling, including water isotopes, pesticides, etc.;

In terms of software implementation, we consider the following practical criteria:

- 170 1. Ease of use, including installation, learning, and operation. Interoperability with external software, for example for model calibration and uncertainty analysis, is of obvious relevance because hydrological models are often used as parts of larger-scale projects and operations.
2. Ease of modification and extension. Even a comprehensive software implementation will eventually require extension. For example, a modeling framework intended to simulate streamflow may require extension to simulate water chemistry. Another type of modification might be a switch to a numerical implementation better suited for parallel computing, etc.
- 175 3. Computational efficiency. Hydrological model applications, especially including calibration and uncertainty quantification, may require thousands or even millions of model runs.
4. Connection to the ecosystem of modern online tools to facilitate model usability by both researchers and practitioners. This includes online documentation (with examples and demos), and automatic workflows for unit testing, continuous integration and deployment.
- 180

These criteria are challenging to meet simultaneously. Hence, implementing a flexible framework entails juggling multiple obvious and less obvious tradeoffs. For example, the intended flexibility of a framework may come at the expense of ease of use, similar to how computer languages have varying degrees of abstraction from the hardware behavior. Implementing a practical flexible framework therefore requires careful code design, experimentation, and inevitably, some compromises.

185

This work pursues the flexible framework objectives defined above by building upon the concept of SUPERFLEX (Fenicia et al., 2011; Kavetski and Fenicia, 2011; Fenicia et al., 2014; Fenicia et al., 2016). A key attractive feature of SUPERFLEX as a modelling concept is the fine “granularity”, i.e., the degree of flexibility, of model structures it can support, which enables systematic and detailed hypothesis testing (Fenicia et al., 2011). For example, the hydrologist should have the ability to select and combine individual model elements (e.g., reservoirs, lag functions, etc.), as well as to build customized elements.

190

The development of the proposed framework capitalizes on the authors’ collective experience in hydrological model design and application. The original Fortran implementation of SUPERFLEX, hereafter referred to as SUPERFLEX-F90, has been used in a series of case studies over the last decade, ranging from lumped model implementations (e.g., Kavetski and Fenicia, 2011; Fenicia et al., 2014), to distributed setups (e.g. Fenicia et al., 2016; Dal Molin et al., 2020), interpretation in the context of fieldwork insights (e.g., Wrede et al., 2015), large scale model intercomparisons (e.g., van Esse et al., 2013), and the inclusion of pesticide/substance transport (e.g. Ammann et al., 2020). The earlier Flex framework was used in studies exploring the use of multivariate data to refine the model structure (e.g., Fenicia et al., 2006, 2008). The modelling framework FUSE was used for a range of experiments in process representation (e.g., Clark et al., 2011b), data analysis (e.g., Henn et al., 2018), and numerical

200

solution (e.g., Clark and Kavetski, 2010; Kavetski and Clark, 2010). The SUMMA framework represented an application of flexible modelling principles to physically based modelling. These applications have highlighted the versatility of the SUPERFLEX principles, and of flexible modelling approaches in general, to solve increasingly complex modelling problems – but have also highlighted implementation choices that limit the effectiveness and range of application of current software (e.g., the usage of a “master template” from which specific model structures are derived). This work provides a new implementation of SUPERFLEX that addresses many of these limitations.

210 1.3 Aims

This paper introduces SuperflexPy, which is a new open-source Python software implementation of the SUPERFLEX principles for conceptual hydrological model development. Particular attention is given to the challenges of implementing a framework that achieves the flexibility envisaged by SUPERFLEX and flexible frameworks in general. Our objectives are as follows:

- 215 1. Present SuperflexPy and its basic building blocks (*components*): *elements*, *units*, *nodes*, and *network*;
2. Illustrate how SuperflexPy can help hydrologists implement a conceptual model structure at the desired level of internal complexity and spatial resolution – including recreating existing models and developing new models;
- 220 3. Provide a broad discussion of the hydrological modelling software implementation challenges and of how SuperflexPy contributes to the toolkits available to the hydrological community.

The paper is organized as follows. Section 2 describes the SuperflexPy architecture and building blocks, and provides a short demo (aims 1 and 2). Section 3 illustrates selected applications of the framework, including the setup of SUPERFLEX configurations used in earlier case studies and the use SuperflexPy to create new *elements* (aim 2). Section 4 provides more technical SuperflexPy details, useful for understanding the usage and general potential of the framework (aim 1). Section 5 discusses SUPERFLEX design choices in the context of existing flexible frameworks, including current limitations and future developments (aim 3). Finally, Section 6 provides a brief overall summary and conclusions.

The examples presented in the paper are generally intended to provide the intuition and reasoning behind SuperflexPy. The model documentation provides detailed information and use instructions. The documentation is available and maintained online (refer to “code availability” section); references from the paper to the documentation point to the static PDF version provided as supplementary material to this paper.

2 Description of SuperflexPy

235 2.1 General organization

The SuperflexPy framework has a hierarchical organization with four nested levels: “*element*”, “*unit*”, “*node*”, and “*network*”, collectively referred as “*components*”. These *components* are shown in Figure 1 and described below. Further practical details are provided in Chapter 4 of the supplementary material:

1. **Element** (Figure 1a). This level represents the basic model building block and is used to create reservoirs, lag functions, and connections. An *element* can be used to represent an entire catchment, or, more commonly, a specific hydrological process or response mechanism within the catchment.

The **reservoir** element is used to conceptualize processes involving the storage and release of water and other fluxes. It is described mathematically by ordinary differential equations (ODEs),

$$245 \quad \frac{d\mathbf{S}(t)}{dt} = \mathbf{g}_s(\mathbf{S}(t), \mathbf{X}(t); \boldsymbol{\theta}) \quad (1)$$

$$\mathbf{Y}(t) = \mathbf{g}_y(\mathbf{S}(t), \mathbf{X}(t); \boldsymbol{\theta}) \quad (2)$$

where \mathbf{S} are the state variables (e.g., water storages), \mathbf{X} are the inputs (e.g., precipitation), \mathbf{Y} are the outputs (e.g., streamflow), and \mathbf{g}_s and \mathbf{g}_y are specified constitutive functions (e.g., storage-discharge relationships).

250 In most conceptual models, reservoir elements have a single state variable (representing water storage); multiple state variables can be accommodated if necessary (e.g., to keep track of snow and liquid water separately). Mathematically, a multistate reservoir can be represented by a system of differential equations of the form of equations (1) and (2).

The solution of equation (1) is usually obtained numerically using external numerical procedures referred to as “numerical approximators” (see Section 4.3).

255 The **lag function** element is used to represent delays in the transmission of the fluxes (e.g., routing). It is described mathematically by a convolution integral,

$$\mathbf{Y}(t) = \mathbf{X}(t) * \mathbf{g}_H(t; \boldsymbol{\theta}) = \int_0^T \mathbf{X}(t - \tau) \mathbf{g}_H(\tau; \boldsymbol{\theta}) d\tau \quad (3)$$

260 where $*$ denotes the convolution operator, \mathbf{X} is the input (e.g., water flux), \mathbf{g}_H is the impulse response function, and T is the time of influence of \mathbf{g}_H (i.e. the maximum lag).

There is a general mathematical correspondence between reservoirs and lag functions (e.g., Nash, 1957). SuperflexPy users can select the element specification best suited to their specific

context.

265 The **connection** element is used to connect two or more *elements* whenever a direct connection is not possible. For example, connection elements are used when a flux needs to be split among multiple *elements* downstream (splitter), or, vice versa, when multiple fluxes need to be aggregated (junction). A particular type of connection is represented by the “transparent” element, which simply outputs the same fluxes it receives as inputs, and is used to facilitate the connection between elements (see description of *unit* below).

270 All connection elements are stateless and can be represented mathematically as follows,

$$\mathbf{Y}(t) = \mathbf{g}_c(\mathbf{X}(t); \boldsymbol{\theta}) \quad (4)$$

where \mathbf{g}_c describes the connectivity between input fluxes and output fluxes, and $\boldsymbol{\theta}$ represents connectivity parameters (if any).

- 275
2. **Unit** (Figure 1b). A *unit* is a collection of multiple connected *elements*, and is generally intended to implement a lumped catchment model or an HRU in a distributed model. Multiple reservoir and lag function elements within a *unit* can be connected to each other, either directly (one-to-one connections), or using connection elements such as splitters and junctions (when a single *element* is connected to multiple *elements*). The multiple *elements* within a *unit* are arranged in *layers*, with the following restrictions: (i) feedback loops *between* the *elements* are not allowed and (ii) *elements* can be connected only if they belong to two consecutive *layers*. Fluxes between elements in nonconsecutive layers are passed using transparent elements. The concept of *layers* will be elaborated and illustrated in Section 5.1.1; see also Section 4.2 of the supplementary material. In technical terms, the structure formed by the *elements* must be a directional acyclic graph (DAG). The motivation and implications of these design choices on model generality and computational efficiency are elaborated in Sections 5.1.1 and 5.2.
 - 285 3. **Node** (Figure 1c). A *node* is a collection of multiple *units* that operate in parallel. In the context of distributed models, the *node* can be used to represent a single catchment and the *units* can be used to represent multiple landscape elements or HRUs within the catchment. Each *unit* within a *node* is characterized by a weight, which typically represents its area fraction or, more generally, its contribution to the total outflow of the *node*. The weights are used to combine the output fluxes from the *units* into the total output flux of the *node*. Another important attribute of a *node* is its “area”, which is used when multiple *nodes* are combined into a *network* (see below).
 - 290 4. **Network** (Figure 1d). A *network* connects multiple *nodes* into a tree structure, and is typically intended to develop a distributed model that generates predictions at internal sub-catchment locations (e.g. to reflect a nested catchment setup). The *network* routes the fluxes from upstream
- 295

nodes (leaves of the tree) to the final downstream *node* (root of the tree). Routing delays in the river network can be simulated by feeding *node* outputs into lag function elements. The area of each *node* is used to determine its contribution to the total outflow of the *network*. Only a single network can be used in a given SuperflexPy model.

300 The hierarchical organization of SuperflexPy makes the effort required to configure it to a new problem proportional to the problem complexity. In particular, many common model setups can be constructed without necessarily using all levels listed above, thus reducing configuration effort. Some representative examples are given below:

- Level 1 is sufficient to create single-*element* models, e.g., a single-reservoir model or a unit
305 hydrograph model (e.g. Kirchner, 2009);
- Level 2 is sufficient to create a lumped model structure, such as GR4J (Perrin et al., 2003) or Hymod (Boyle, 2001);
- Level 3 is sufficient create a distributed model that represents spatial heterogeneity but generates predictions only at the catchment outlet (e.g. Beven and Kirkby, 1979; Gao et al., 2014; Nijzink
310 et al., 2016);
- Level 4 is needed only in models that generate predictions at interior points, such as SWAT (Arnold et al., 2012), GEOframe-NewAge (Formetta et al., 2014), and distributed SUPERFLEX applications (e.g. Fenicia et al., 2016; Dal Molin et al., 2020).

Examples of SuperflexPy models implemented at Levels 2 and 4 are given later in Section 3. Note that
315 the association of specific SuperflexPy components to specific hydrological entities, e.g., the use of *units* for HRUs and *nodes* for sub-catchments, is not intended as a rigid prescription. Other association choices may be favored by the modeler depending on the required model structure and spatial connectivity.

The clarity of visual model representation is particularly important in flexible frameworks because they can generate many subtly different configurations (e.g., Bancheri et al., 2019). The model schematics in
320 this paper indicate explicitly every element, including reservoirs, lag functions, and junctions (e.g., Figure 1).

From a software design prospective, SuperflexPy embraces the object-oriented paradigm (e.g., Meyer, 1988). All framework *components* are represented by objects that can operate either alone or together, interacting with each other and with external libraries (e.g. for calibration) through defined interfaces.
325 More details are provided in Section 4.2.

All SuperflexPy *components* have states and/or parameters, which are controlled programmatically using dedicated methods (refer to Section 4.1).

2.2 A simple illustration of SuperflexPy: creating a new model from existing components

This section illustrates the key steps needed to configure and run a hydrological model using the SuperflexPy framework. The illustration presents a distributed model intended to represent a catchment with 2 HRUs and 3 sub-catchments. The model structure is shown in Figure 1d. The catchment is represented using a *network*, the sub-catchments are represented using *nodes*, and the HRUs are represented using *units*. Two distinct HRU-specific model structures are specified, and are implemented using *elements*. The corresponding SuperflexPy code is shown in Figure 2. An extended version of this demo is provided in Section 6.5 of the supplementary material.

In this example, an implementation of the necessary *elements* with SuperflexPy already exists; therefore, the *elements* only need to be imported. The case where the model structure requires *elements* for which an implementation is not yet available is considered in Section 2.3. More complex setups are described in Section 3 and in the supplementary material.

We start by importing the model *components* required by the model structure, namely the *elements* (`LinearReservoir` and `HalfTriangularLag`), *unit*, *node*, and *network*. The numerical approximator `ImplicitEulerPython` and root finder `PegasusPython` needed to solve the ODEs associated with the reservoir elements are also imported (see Section 4.3 for details). The import operation is shown in Lines 1-7.

The imported *components* are then initialized, which entails specifying the model structure (connectivity between model *components*) and the initial values of parameters and states. The initialization sequence starts with the numerical procedures (Lines 10-11) and proceeds from the lowest-level *components* (*elements*) to the highest-level *component* (*network*).

Specifically:

- L1. An *element* is initialized by specifying its parameters, states, and, where relevant, the numerical solver (Lines 14-16). Each element is given an identifier (`id`) for subsequent use, as shown on Line 23.
- L2. A *unit* is initialized by specifying the *elements* that compose it and the identifier (Lines 19-20). As noted earlier in Section 2.1, the connectivity between *elements* is defined by conceptualizing the *unit* as a succession of *layers* that contain the *elements*. More complex examples are given in Section 3. The parameters and states of *elements* can be changed after initialization using the methods `set_parameters` and `set_states` of the containing units. This operation is shown on Line 23 for the `LinearReservoir` element.

360 L3. A *node* is initialized by specifying the *units* that compose it, their contribution (weight) to the *node* output, the influence area of the *node* (here, the area of the sub-catchment), and the identifier (Lines 26-28).

L4. The *network* is initialized by specifying the *nodes* that compose it and their connectivity, called topology (Line 31). The connectivity is defined indicating, for each *node*, the *node* downstream of it. A network identifier is not specified (as only a single network can be used).

365 The next step is to set the model inputs and time step. Lines 34-36 show how the inputs are assigned directly to the *nodes*, enabling the model to receive spatially varying rainfall and PET. The time step is set on Line 39 (variable time steps are also supported, see Section 4.5.1 of the supplementary material).

The model can now be run by calling the `get_output` method of the highest-level *component*, as shown on Line 42.

370 Note that all input quantities provided to SuperflexPy, including fluxes, time step length, parameters, states, areas, etc., must have consistent units. To reduce model code complexity and execution overhead, we take the perspective that unit checks represent pre-processing and are best handled by the user according to their own preferences and standards. Output fluxes have the same (assumed) units as input fluxes, e.g., if precipitation is in mm/h, then streamflow is also in mm/h, etc.

375 **2.3 Creating new model *components* with SuperflexPy**

We now consider the case where the intended model structure has *components* beyond those already available in SuperflexPy.

380 New model *components* can be created by extending existing SuperflexPy *components*. To this end, SuperflexPy provides a library of built-in high-level *components* that can be extended to achieve the desired functionality. We anticipate that the SuperflexPy *components* most likely to require extension are the *elements*, where new constitutive functions may be required in reservoir elements and new weight functions may be required in lag function elements. In contrast, it is less likely that *unit*, *node*, and *network* functionalities would require extension.

385 The extension of existing SuperflexPy *elements* takes advantage of the object-oriented paradigm underlying the SuperflexPy software design. The inheritance principle, one of the core concepts of the object-oriented paradigm, allows the user to construct new *components* by “inheriting” most of the functionalities (methods) from existing classes. Separate implementation is then required only for methods where the new model differences are to be introduced. This approach reduces substantially the amount of coding required to implement a new model *component*.

390 A detailed example of this procedure is given in Section 3.2, which shows how to implement a reservoir
 with a new storage-discharge relationship. More examples are provided in Chapters 8 and 9 of the
 supplementary material.

3 Examples of building hydrological models using SuperflexPy

This section provides more detailed examples of using SuperflexPy to implement hydrological models,
 395 including the use of built-in *elements* and the creation of new *elements*. We follow a progression from
 simple to complex. Section 3.1 shows the implementation of model M4, a lumped model built solely from
 reservoir elements and used in the original SUPERFLEX case study (Kavetski and Fenicia, 2011). Section
 3.2 shows how to define a new *element* with a different storage-discharge relationship for one of the
 reservoirs of M4. Section 3.3 shows the implementation of a distributed model from a recent application
 400 of SUPERFLEX in the Thur catchment (Dal Molin et al., 2020).

Compared to the demo in Section 2.2, which was intended to give a general sense of model building with
 SuperflexPy, the examples in this section represent "realistic" applications of SuperflexPy, including
 setting up a spatially distributed model with multiple HRUs and more complex model structure. Further
 technical details and additional examples, including the implementation of popular conceptual models
 405 (e.g., GR4J, HYMOD), are provided in the supplementary material (chapters 8-11).

3.1 Implementing SUPERFLEX configuration M4

M4 is a simple lumped model presented in Kavetski and Fenicia (2011). As shown in Figure 3, M4
 comprises two reservoirs connected in series: an "unsaturated" reservoir (UR) intended to represent the
 partitioning of precipitation between evaporation and runoff, and a "fast" reservoir (FR) intended to
 410 represent subsequent streamflow generation mechanisms.

UR partitions precipitation $P^{(UR)}$ into a portion that enters the UR storage and eventually evaporates
 through flux $E_A^{(UR)}$, and a portion $Q^{(UR)}$ that is directed to the downstream FR reservoir:

$$\frac{dS^{(UR)}}{dt} = P^{(UR)} - E_A^{(UR)} - Q^{(UR)} \quad (5)$$

where

$$\bar{S}^{(UR)} = \frac{S^{(UR)}}{S_{\max}^{(UR)}} \quad (6)$$

$$Q^{(UR)} = P^{(UR)} \times (\bar{S}^{(UR)})^{\beta^{(UR)}} \quad (7)$$

$$E_A^{(UR)} = E_P^{(UR)} \times \frac{\bar{S}^{(UR)} (1 + m^{(UR)})}{\bar{S}^{(UR)} + m^{(UR)}} \quad (8)$$

In equations (6)-(8), $S_{\max}^{(UR)}$ and $\beta^{(UR)}$ are model parameters. The quantity $m^{(UR)}$ is used to approximate a “smooth” threshold behavior; we typically fix $m^{(UR)} = 0.01$.

420 FR is a power-law reservoir,

$$\frac{dS^{(FR)}}{dt} = P^{(FR)} - Q^{(FR)} \quad (9)$$

with the storage-discharge relationship given by

$$Q^{(FR)} = k^{(FR)} (S^{(FR)})^{\alpha^{(FR)}} \quad (10)$$

where $k^{(FR)}$ and $\alpha^{(FR)}$ are model parameters.

425 The inflow $P^{(FR)}$ is given by the outflow from UR, i.e., $P^{(FR)} = Q^{(UR)}$.

M4 is a lumped model with multiple *elements*, and hence can be implemented using SuperflexPy levels L1 and L2 (*element* and *unit*, see Section 2.1). Figure 4 shows the code needed to implement M4. The numerical procedures are imported and initialized on Lines 1-2 and 7-8 respectively. Similar to the model described in Section 2.2, the two model *elements* (UR and FR) are already implemented. Hence, the user
 430 only needs to import the elements (Lines 1-3) and initialize their parameters (Lines 7-13). Next, the *unit* is imported (Line 4) and initialized to contain the two reservoirs (Line 15). The model configuration is then complete.

The loading of input data from text file(s), databases, etc. is separate from the configuration of SuperflexPy, and can be carried out using any suitable Python library or function. In this example, we use
 435 Numpy to read time series of precipitation and PET from a text file, as shown in Lines 17-18. The corresponding SuperflexPy inputs are set using these Numpy arrays, as shown on Line 20. Further practical details on input-output are provided in Section 4.5.5 of the supplementary material.

The model can now be run with the given input data to produce the model outputs, as shown on Line 23. The outputs contain streamflow time series in the form of Numpy arrays.

440 3.2 Changing the equations of the fast reservoir in M4

Suppose the modeler wishes to modify model M4 by changing the storage-discharge equation of the fast reservoir given in equation (10) to a new relationship

$$Q^{(\text{FR})} = \frac{k^{(\text{FR})} \left(S^{(\text{FR})} \right)^{\alpha^{(\text{FR})}}}{S^{(\text{FR})} + b^{(\text{FR})}} \quad (11)$$

where $k^{(\text{FR})}$, $\alpha^{(\text{FR})}$, and $b^{(\text{FR})}$ are model parameters.

445 An *element* with this storage-discharge relationship has not been implemented in SuperflexPy yet (as of version 1.3.0). The following sections give two approaches for creating such an *element*.

3.2.1 General approach for creating a new reservoir with SuperflexPy

The general approach for creating a new reservoir in SuperflexPy is to define a new class that inherits most of its functionality (methods) from the class `ODEsElement`. This operation is illustrated in the
 450 code snippet in Figure 5 (see Section 8.1 of the supplementary material for full details). The new class must override the following methods:

- `__init__`: constructor of the class. Its main purpose is to invoke the constructor of the parent class (Lines 5-6) and to point to the method used to calculate the fluxes, here, `_fluxes_function_python` (see also Section 4.3, which illustrates the efficiency
 455 benefits of using Numba-optimized methods for calculating the fluxes);
- `set_input`: takes the input fluxes in a predefined order (here, just precipitation) and assigns them a key (Line 15) that is then used when setting up and solving the model equations;
- `get_output`: invokes the functionalities implemented by the `ODEsElement` to solve the *element* equation over the entire simulation (all time steps). Lines 20-22 get the current state of
 460 the reservoir, invoke the ODE solver, and set the state to its final value. Lines 24-28 get the output flux arrays from the numerical approximator (see Section 4.3). Line 30 returns a list with the output of the *element* (here, the streamflow);
- `_fluxes_function_python`: calculates the fluxes and (optionally) their derivatives with respect to the state for a given state, inputs, and parameters. Line 36 implements the vector version
 465 while Lines 38-41 implements the scalar version. Both versions are needed by the numerical approximator (see Section 4.3; further practical details are provided in Section 8.1 of the supplementary material).

The new *element* `NewFastReservoir` is now defined and can be used in the “new” version of M4, in lieu of the previous *element* `PowerReservoir`. The Object-Oriented features of Python are very
 470 useful here to enable the new class `NewFastReservoir` to inherit most of the methods from the base class `ODEsElement`. Otherwise, in addition to the methods listed above, we would have needed to

implement many other methods, e.g., for interfacing with numerical solvers, for setting *element* parameters and states, etc.

3.2.2 Simplified approach for creating a new reservoir element (from an existing element)

475 The same new reservoir element can be implemented in a simpler way by noting that `NewFastReservoir` differs from `PowerReservoir` solely in the definition of the outflow equation. This difference affects only one of the four methods implemented in Figure 5, namely `_fluxes_function_python`. A simpler implementation of `NewFastReservoir` can be therefore achieved by inheriting this class directly from class `PowerReservoir` rather than from class
480 `ODEsElement`. The code in Figure 6 illustrates this approach and implements only the method `_fluxes_function_python`. All other methods are inherited from class `PowerReservoir`.

Note that this simplified implementation is a consequence of the required modification being relatively minor, i.e., a change solely in the constitutive function equation. More complex modifications, such as the inclusion/exclusion of input/output fluxes (e.g. inclusion of evapotranspiration into the
485 `PowerReservoir`), would require the general implementation approach described in Section 3.2.1.

3.3 Implementing a distributed model

This section illustrates the implementation of an HRU-based, distributed hydrological model, intended to simulate streamflow in a nested catchment. This implementation requires the entire workflow illustrated in Section 2.2. The example is provided by model M02, developed in Dal Molin et al. (2020) to provide
490 streamflow predictions at 10 sub-catchments of the Thur catchment in Switzerland (Figure 7a).

Each sub-catchment receives its own forcing, namely precipitation, potential evapotranspiration, and temperature. Two HRU types are defined based on geology: consolidated and unconsolidated formations (Figure 7b). Both HRU types are characterized by the same model structure, which is shown in Figure 8. This HRU model structure differs from model structure M4 (section 3.1) in the following additional
495 *elements*: (i) a “snow” reservoir, `WR`, which controls the partition of incoming precipitation between rainfall and snowfall based on temperature, (ii) a lag function between `UR` and `FR`, and (iii) a “slow” reservoir, `SR`, which acts in parallel to `FR` and is controlled by the same equations as `FR` but with different parameter values.

Similar to the simpler previous example in Section 3.1, this "lumped" model structure is implemented as
500 a *unit*. However, a key difference is that in the previous example the *unit* represented the entire system, whereas here it is part of a more complex system.

Given the spatial organization of the model, *nodes* are used to represent sub-catchments and *units* are used to implement HRU types. Note that the sub-catchments may share (one or more) HRU types, which in SuperflexPy translates into the *nodes* sharing (one or more) *units*. The *network* level is used to connect multiple *nodes*, and enables predictions at internal catchment locations. Figure 10 shows the SuperflexPy representation of the spatial organization shown in Figure 7.

We start by implementing the *units*. As seen in Figure 8, the HRU model structure has *elements* operating in parallel and, therefore, requires the use of connections. Figure 9 shows how the HRU model structure is “translated” into a SuperflexPy *unit*. Recall, from Section 2.1, that *elements* can be connected only if they belong to two consecutive *layers*, which implies that “gaps” in the structure must be filled using *transparent* elements, which output the same fluxes they receive as inputs. Splitters and junctions are used to divide and merge the fluxes to implement the parallel flow paths.

Comparing Figure 8 with Figure 9, we see how the HRUs structure has been implemented within SuperflexPy. The following implementation aspects are noted:

1. The incoming precipitation is partitioned into rainfall and snowfall. This partitioning is done internally in the WR *element*. The SuperflexPy implementation of WR takes care of two processes: (i) partitioning of precipitation into rainfall and snowfall; and (ii) simulation of snow processes (accumulation and melting). The output of WR is, logically, the sum of rainfall and snowmelt. Alternatively, a (new) splitter element could have been defined to partition the fluxes between UR (rainfall) and WR (snowfall) based on temperature.
2. WR, as currently implemented, does not receive as input the potential evapotranspiration (PET), which is needed by the downstream *element* UR. Therefore, the transfer of PET values to the UR element is implemented using a separate path composed by three *elements*, labelled "upper splitter", "upper transparent", and "upper junction" (Figure 9). This choice simplifies the interface of element WR at the expense of a somewhat more complicated model structure with additional elements.
3. The parallel part of the structure is composed by two *elements* on one branch (lag and FR) and only one *element* on the other branch (SR). To satisfy the requirement of not having “gaps” in the *unit* structure, a transparent element (“lower transparent”) is added after the SR.

The code to setup this model is detailed in Figure 11. Similar to the earlier example in Section 2.2, the user initializes and connects all model *components*, proceeding sequentially from the lowest level (*elements*) to the highest level (*network*). The procedure can be summarized as follows:

1. Lines 10-29: Initialize the *elements* needed for the lumped model structures used in the HRUs;
2. Lines 32-39: Initialize the units used to represent the HRUs, linking all the *elements*;

- 535 3. Lines 42-51: Initialize the nodes used to represent the sub-catchments. Both *units* are assigned to 9 *nodes*; the Mosnang sub-catchment contains a single HRU and hence only a single *unit* is assigned to the corresponding *node* (Line 49).
4. Lines 54-60: Connect the *nodes* using a *network*. The topology of the *network* is defined by indicating, for each node, the downstream one.

540 The *network* runs the *nodes* from upstream to downstream, collects their outputs, and routes them to the outlet. Customized routing functions can be implemented, as shown in Section 9.1 of the supplementary material. The output of the *network* is a Python dictionary, with keys given by the node identifiers and values given by the list of Numpy arrays representing the time series of output fluxes over the simulation period.

545 4 Implementation details of SuperflexPy

This section presents additional technical details of SuperflexPy needed to understand better some aspects of the functioning of the framework. A more detailed and practical description is provided in the supplementary material.

4.1 Parameters and states

550 All SuperflexPy *components* can have parameters and states. Parameters specify *component* characteristics, whereas states keep track of the *component* history. States and parameters are set as part of initializing the model *components*, and can be manipulated using `get` and `set` methods provided by the framework at all levels of its hierarchy (see the example in Section 2.2).

The parameters can be either constant or variable in time. Constant parameters represent the most common set up of hydrological models. In conceptual hydrological modelling, time-varying parameters have been proposed to represent "deterministic" system variability (e.g. seasonality, Westra et al., 2014) and/or "stochastic" system variability (e.g., Kuczera et al., 2006; Reichert and Mieleitner, 2009; Renard et al., 2011); see also earlier work in data-based mechanistic modelling (e.g., Young, 2000).

4.2 Modular design following the Object-Oriented paradigm

560 As noted in Section 2.1, SuperflexPy embraces the object-oriented paradigm (e.g. Meyer, 1988), which is widely used in general software and is increasingly adopted in scientific software.

Figure 12 shows the unified modeling language (UML) class diagram of SuperflexPy. The schematic illustrates the classes underlying the core framework (i.e., the base classes that define SuperflexPy architecture), but excludes, for simplicity, the specific implementations of *components* and numerical

565 routines. All the classes in the diagram can be extended to implement customized *components*; for example, a reservoir can be implemented by extending the class `ODEsElement`, a splitter can be implemented by extending the class `ParameterizedElement`, a node with a particular routing mechanism can be implemented by extending the class `Node`, etc.

The object-oriented design provides several advantages in the context of SuperflexPy:

- 570 • The inheritance principle enables the creation of new classes by extending existing ones. Inheritance reduces drastically the amount of new code that needs to be generated to implement a new model *component* (see example in Section 3.2);
- Changes to a class (e.g. a *component*) and the creation of new classes can be carried out in isolation from the rest of the code, as long as the interfaces between classes are respected;
- 575 • When creating a model, only the necessary objects need to be initialized and used. This principle makes the model configuration effort roughly proportional to required model complexity, i.e., simple model structures can be constructed from the minimal set of required components;
- Objects retain their history (states), which can be accessed post-run to undertake model analysis and/or subsequent computation;
- 580 • The modular nature of objects facilitates the development and testing of new code.

These benefits make it easier to achieve clean and maintainable code, which is essential for any practical modelling framework.

4.3 Numerical solution of ODEs

The mass balance of reservoir elements is described using ordinary differential equations (ODEs), which
585 are typically solved (approximately) using numerical time-stepping algorithms. Many such algorithms have been described in the numerical methods literature, e.g. Euler methods, Runge-Kutta methods, etc. (e.g., Butcher and Goodwin, 2008).

SuperflexPy separates the formulation of model equations from the solution of these equations. Specifically, flux equations are defined internally as methods of the *elements* (as shown in Section 3.2),
590 while the numerical algorithm to solve the ODEs is specified externally to the *element*, creating a class specific to this task. The separation of equations and solvers in the model specification enables the modeler, within some restrictions, to select the numerical method without making any changes to the governing model equations (see section 5.2 of the supplementary material). That said, given SuperflexPy primary emphasis on enabling hydrologists to experiment with flexible conceptual model structures,
595 numerical flexibility is given a relatively lower level of priority and the choice of numerical architecture of the framework is largely driven by findings of previous studies (see below).

SuperflexPy conceptualizes the solution of its mass balance ODEs as a two-step process: (1) construct a discrete-time numerical approximation of the ODEs (e.g., using Euler time stepping schemes), and (2) when an implicit time stepping scheme is used, solve the associated nonlinear algebraic equation(s). The procedures used for these tasks are referred to as the “numerical approximator” and the “root finder”, respectively. This distinction helps achieve better software modularization, disentangling the choice of the numerical approximator and of the root finder.

Currently, SuperflexPy provides three built-in numerical approximators, namely the fixed-step implicit and explicit Euler time stepping schemes (e.g., Clark and Kavetski, 2010) and Runge Kutta 4. Two built-in root finders are provided, namely the Pegasus algorithm (Dowell and Jarratt, 1972) and a hybrid Newton-bisection algorithm (Press et al., 1992). Additional numerical routines are currently being developed. To avoid mass balance discontinuities, as well as to ensure better numerical stability and faster convergence, we recommend using smooth flux functions (e.g., Kavetski and Kuczera, 2007).

An additional approximation is employed within SuperflexPy, namely that all model fluxes are constant within the model time step. This approximation is consistent with the typical format of hydrological data, such as rainfall, PET, etc, which are tabulated in discrete steps (e.g., daily, hourly, etc), but is applied not only to the forcing data but also to all internal fluxes. As such, this pragmatic approximation enables a further simplification of the solution procedure, because the output flux from each element becomes a scalar value (per time step). Note that first order time stepping schemes, which we recommend for SuperflexPy, themselves make exactly the same assumption and are hence not impacted. However, higher order time stepping schemes and adaptive substepping schemes would be impacted by additional first-order discretization error, because the variation of internal fluxes within the model time step is ignored. Further details about this pragmatic approximation are provided in section 5.2 of the supplementary material.

The user can implement additional numerical algorithms, either by coding them directly or by interfacing with external code (e.g. ODE solvers from SciPy). Detailed instructions are provided in section 5.1 of the supplementary material, which also includes a description of how to implement a numerical solver "from scratch", bypassing of the current numerical approximator / root finder architecture.

As detailed next in Section 4.4, the choice of numerical implementation, and its compatibility with optimizing compilers, may have a strong impact on the overall computational speed of the model.

4.4 Computational efficiency and language choice

Computational efficiency is a key requirement of a practical modelling framework. Model calibration via parameter optimization is a common computationally demanding task required by most hydrological

models, typically requiring hundreds or thousands of model runs. Moreover, conceptual hydrological
630 models are often used in Monte Carlo uncertainty quantification, with comparable or even larger
computational cost (up to millions of model runs in some cases).

The choice of programming language inevitably requires trade-offs between computational efficiency and
ease of use. The choice of Python for SuperflexPy was motivated by the attraction of a flexible and widely
used scripting language in conjunction with two efficient numerical libraries: Numpy (Walt et al., 2011)
635 and Numba (Lam et al., 2015). Numpy provides highly efficient arrays for vectorized operations (i.e.
elementwise operations between arrays). Numba provides a “just-in-time compiler” that compiles (at
runtime) a Python method into machine code that interacts efficiently with Numpy arrays.

The combined use of Numpy and Numba is particularly effective when solving ODEs, where the
numerical algorithm performs element-wise sequential operations. The built-in SuperflexPy approaches
640 for solving ODEs are compatible with such numerical infrastructure, and therefore enable fast
computation times. Note that switching to ODEs solvers that do not take advantage of such libraries might
dramatically increase the model runtime.

Numba offers drastic computational speed ups compared to native Python; our experimentation suggests
runtime reductions by factors of up to 30. However, a drawback of Numba is the requirement to compile
645 the code each time it is executed (run). For a lumped model composed of a few reservoirs, the Numba
compilation time is of the order of a few seconds. Therefore, Numba will outperform Python when the
simulation is long (e.g. multiple years of hourly data) and/or when the model needs to be run a large
number of times. For example, as a broad illustration of runtimes on a standard laptop, calibration of a
HYMOD-like SuperflexPy model to observed daily data, requiring 1000’s of model runs each with 1000
650 time steps, takes a few seconds with the Numba implementation compared to a couple of minutes with
native Python execution. Note that here we refer to the runtime of the SuperflexPy model itself, and
exclude the runtime of the calibration tool procedures; more details on benchmarking are given in section
5.3 of the supplementary material. Examples of interoperability of SuperflexPy with external libraries for
model calibration (e.g., SPOTPY, Houska et al., 2015) are given in chapter 14 of the supplementary
655 material.

4.5 Ability to represent multiple fluxes and states

SuperflexPy can operate with multiple fluxes and state variables. In particular, connection elements, *units*,
nodes, and the *network* can accommodate an arbitrarily large number of fluxes. The use of multiple fluxes
has been already shown in the model structure described in section 3.3, where the `upper_splitter`

660 handles three different variables (precipitation, temperature, and PET). Additional examples are provided in the supplementary material (e.g., chapters 10, 11).

The capability to simulate multiple fluxes and states is intended to support the future extension of SuperflexPy to new modelling scenarios. Several such scenarios may be of interest, including the transport of chemical substances (e.g., Fencia et al., 2010; Ammann et al., 2020), the interaction between
665 frozen and liquid water in a snow *element* (e.g., Jansen et al., 2021), interactions in the saturated/unsaturated soil zones (e.g., Seibert et al., 2003), and so forth.

While the current examples in SuperflexPy do not include all the cases listed above, the framework architecture anticipates the need for more general simulation functionality, and has been designed to support extension to accommodate such multi-state processes.

670 5 Discussion

5.1 Balancing functionality, scope, and usability in a flexible model implementation

A software implementation that maximizes flexibility and usability is challenging to achieve, because flexible modelling functionality may increase configuration effort and computational cost. Existing flexible frameworks have approached this tradeoff with different priorities, based on their respective
675 modelling objectives and paradigms.

The following sections offer a brief discussion of the design choices made by SuperflexPy in the context of selected existing frameworks with a similar scope. The discussion makes use of Table 1 and Table 2, which summarize key design choices related to usability and simulation capabilities respectively.

5.1.1 Structural flexibility

680 Structural flexibility refers to the flexibility in how *elements* can be connected to compose the structure of the model (i.e., of the *unit*, following SuperflexPy terminology). This consideration applies both to lumped and distributed models; the flexibility in specifying the spatial organization of the model is considered separately in Section 5.1.2.

Some flexible frameworks are implemented using a master structure that incorporates all supported model
685 configurations. In these implementations, the user can choose the flux equation(s) (e.g., FUSE, SUPERFLEX-F90) and/or activate/deactivate specific elements (e.g., SUPERFLEX-F90), but cannot change the overall connectivity of model elements. To the extent that the master structure is sufficiently general, it may not unduly restrict the practical usage of the framework.

Other frameworks (e.g., MARRMoT) propose a collection of existing conceptual model structures ready
690 to use, which have been implemented following the same design rules in order to allow for a fair
comparison. Such frameworks are typically intended for model intercomparison studies.

The most general frameworks allow connecting the elements freely without constraints. A distinction can
be made between frameworks that allow for mutual interactions between the elements (e.g., CMF) and
frameworks that do not allow such interactions (e.g., ECHSE).

695 SuperflexPy adopts the latter philosophy, allowing to connect the *elements* freely within the *unit* but
restricting mutual interactions, i.e., constraining the structure to be a DAG (see Section 5.2). Moreover,
we have chosen to define the DAG as a succession of *layers*, listing the *elements* in order from upstream
to downstream and allowing for parallel flow paths (e.g., see the model structure in Figure 9). This "list"
700 formulation has been selected in preference to other methods for defining a graph, e.g., connectivity
matrix, adjacency list, etc., for the following reasons: (i) simplicity/scalability, as the list dimension scales
linearly with the number of *elements*, in contrast to the connectivity matrix approach where this scaling
is quadratic; (ii) arguably better readability, as the *elements* are listed in the order they appear in the DAG;
and (iii) it guarantees a graph topology without loops. Note that other popular modelling tools (e.g., neural
networks) adopt this type of formulation.

705 **5.1.2 Spatial flexibility**

Most frameworks (e.g., CMF, ECHSE, SUPERFLEX-F90, etc.) support multiple types of spatial
discretization (e.g., lumped, HRUs, sub-catchments, grids, etc.). Some frameworks (e.g., FUSE,
MARRMoT) support solely lumped models.

SuperflexPy uses 4 hierarchical levels of *components*, intended to facilitate the formulation of models
710 that range in spatial complexity from a simple lumped model, to a composition of lumped models intended
for prediction at a single location (e.g. a catchment with several HRUs), and ultimately to a distributed
model capable of making predictions at multiple internal locations. The use of a hierarchical set of
components could be contrasted to a framework based solely on the lowest level components, here,
elements. The use of higher level components enables the modeler to capture explicitly the natural
715 groupings in the catchment of interest, e.g., sub-catchments, HRUs, etc.

5.1.3 Usability

The usability of a framework can be judged according to several aspects.

The first aspect is how a framework is operated. Some frameworks are standalone and operated through
a graphical interface (e.g., PERSiST) or the command line interface (e.g., SUPERFLEX-F90). Other

720 frameworks are designed as libraries that can be called from the user code in a specific programming language to initialize, configure and run the model (e.g., CMF, MARRMoT; SUPERFLEX-F90 also allows this option when using the source code from Fortran). SuperflexPy is implemented as a Python package. Models can be created using a Python script and interfaced easily with external libraries (examples are provided in chapter 14 of the supplementary material).

725 The second aspect is the scope of the framework. Most frameworks (e.g., SUPERFLEX-F90, ECHSE) adopt, by design, the philosophy of “one tool per problem” and limit their functionality to the simulation of hydrological processes. Other frameworks integrate tools for parameter calibration and sensitivity analysis, uncertainty quantification, pre- and post-processing tasks such as input unit checks/conversions, etc. (e.g., RAVEN, PERSiST). SuperflexPy adopts the first philosophy: it limits its functionality to
730 hydrological simulation.

Finally, documentation is another key aspect in the usability of a framework. Virtually all considered frameworks provide such documentation to a varying degree of detail. SuperflexPy documentation is available online and explains in detail how to use and further develop the framework.

Figure 13 illustrates the online software management tools that are used to develop and deploy
735 SuperflexPy. The framework itself, including source code, documentation, examples, etc., is hosted on GitHub. Automated workflows (dashed lines in the figure) are then used to create new releases (PyPI), get DOIs for the software releases (Zenodo), host the documentation (ReadTheDocs), and create runnable examples (hosted on Binder as Jupyter notebooks). From a general user perspective, this setup improves model accessibility and reproducibility. From a developer and contributor perspective, it reduces the effort
740 needed to maintain and extend the framework.

5.1.4 Possibility of extension and customization

Most frameworks have open source code and permissive licenses, making it possible to modify and extend their codebase. Within this category, some frameworks are specifically intended to be customized (e.g., implementing new functionalities) as part of their regular usage without an expectation of “developer-
745 level” skills (e.g., ECHSE). Other frameworks do not envisage customization in their primary scope, but can still be modified by modelers with appropriate programming expertise in consultation with available developer guides (e.g., RAVEN).

Some frameworks have not been released as open source, and the only way to access their codebase for customization and extension is by contacting their developers (e.g., SUPERFLEX-F90, PERSiST).

750 SuperflexPy is designed to facilitate extension and customization as part of its regular usage. New *components* can be created by extending or modifying existing components, as demonstrated in Section 3.2.

5.1.5 Computational efficiency

755 The computational efficiency of a model code, i.e., the time required to run a simulation, depends primarily on two aspects, namely the programming language and the numerical algorithms.

In terms of programming languages, most frameworks have been implemented in C/C++ and Fortran, which enable very fast computation. These implementations can be either purely single-language (e.g., FUSE, RAVEN), or wrapped within a scripting language to provide a more suitable interface (e.g., CMF). Amongst the considered existing frameworks, only MARRMoT is implemented entirely in an interpreted
760 language (Matlab/Octave).

In terms of numerical algorithms, a wide range of options are available for solving differential equations. Broadly speaking, time stepping algorithms can be classified as implicit or explicit, and may employ fixed or adaptive step size. The choice of algorithm and its settings brings tradeoffs between solution accuracy, algorithm complexity and computational cost. In the context of model development and comparison, it is
765 important to separate the specification of model equations from the choice of numerical solution and to use robust numerical methods to avoid spurious artefacts (e.g., Kavetski and Clark, 2010). The majority of frameworks implement this separation and provide a choice of built-in numerical algorithms.

SuperflexPy, while written entirely in Python (a nominally "slow" language), makes several implementation choices to reduce computational costs. These choices include the use of efficient
770 numerical libraries (section 4.4) and the solution of the *elements* in succession (DAG, section 5.2). This solution of the elements "one-at-a-time" enables the usage of robust solvers that operate on a single ODE at a time; in such cases, also the root finder operates on a single algebraic equation at a time, reducing the computational effort. The choice of numerical algorithm for individual elements is left to the user (section 4.3). The (recommended) built-in approximators include the implicit Euler scheme with fixed step size,
775 which offers stability and smoothness benefits valuable in parameter estimation contexts.

5.2 Current restrictions in model structure specification

As part of balancing the flexibility, ease of use, and computational performance of SuperflexPy, some restrictions have been imposed on the connectivity between model *components*.

The first restriction is that *elements* within a *unit* must form a directional acyclic graph (DAG), with no
780 feedback loops from downstream to upstream *elements* (Section 2.1). This restriction enables the

numerical solvers to proceed, at each time step, in a single pass from upstream to downstream *elements* and improves the computational performance of the framework. The restriction on internal model feedbacks is not expected to be overly limiting when developing conceptual hydrological models, where the fluxes from a given *element* typically depend only on the state in that *element* and not on downstream *elements*. In such systems, flows occur only in one direction, e.g. in model M4 the water flows from UR to FR but not vice versa. A counter-example where internal model feedbacks are required is given by the bidirectional interaction between surface water and groundwater in the hyporheic zone, where the exchange flux (or fluxes) depends on both states. Such interactions can still be modelled in SuperflexPy by introducing *elements* that embed feedbacks internally. For example, the hyporheic zone can be represented using a two-state reservoir with interacting states (e.g., Seibert et al., 2003). In other words, the SuperflexPy restriction on model feedbacks applies to interactions *between* elements, but not to interactions *within* an element.

The second restriction, which also applies at the *unit* level, derives from the decision to define the DAG as a succession of *layers* (section 5.1.1). This choice simplifies the model definition in typical use cases, when there are many *elements* with relatively few connections (i.e., the DAG is "sparse" rather than "dense"). However, the definition of a DAG as a succession of *layers* requires the *elements* to be connected directly one to the other, without skipping *layers*. Hence the need for transparent elements, which output the inputs they receive and are used to fill the gaps that arise when two or more parallel flow paths have a different number of *elements*. An example of such model configuration is given in Figure 9, where a transparent *element* (labeled "lower_transparent") is used to fill the gap in layer 7.

The third restriction is that the topology of a *network* must represent a tree where any given *node* can connect and transfer fluxes only to a single downstream *node* (Section 2.1). This restriction has a similar motivation to the restriction of a *unit* structure to a DAG, and allows for a simple and efficient computational implementation, which starts from the headwater *nodes* and proceeds downstream one *node* at a time. Typical distributed conceptual models meet this restriction, for example as illustrated in Section 3.3. However, fully integrated distributed models, such as Parflow and Mike-She, do include mutual dependencies between spatial elements, e.g., leading to 2D or 3D groundwater flows. Such configurations are considered beyond the scope of conceptual distributed models, and therefore are not currently supported in SuperflexPy.

810 5.3 Current usage and future developments

SuperflexPy is easy to install and run; it is written in pure Python and its dependencies are limited to the packages Numpy and Numba (Section 4.4). Installation can be done directly using the package installer for Python (pip) and does not require (additional) external libraries. We stress that SuperflexPy is not a

wrapper of earlier SUPERFLEX-F90 code but offers a completely new implementation that is not
815 constrained by choices taken in the earlier code versions.

SuperflexPy has already been used for research applications. Jansen et al. (2021) performed a “model
mimicry” study where similarities and differences within the HBV family of models were investigated.
SuperflexPy was used to construct a set of HBV-like models and compare them in terms of the behavior
of individual model components, the impact of numerical implementation, and so forth. A list of
820 publications using SuperflexPy is maintained on the documentation website.

In terms of future developments, we hope that SuperflexPy offers the broader hydrological community a
versatile new tool for research work and practical applications. Further SuperflexPy developments are
likely to follow from such work and collaborations, including: (i) expansion of the library of model
components beyond the ones here presented (as shown in the example in Section 3.2), and (ii) more
825 fundamental developments in response to future model applications. It is important to highlight that
SuperflexPy can be used to create and combine new model *components*, thereby enabling experimentation
with new model structures and general conceptualizations. The framework, therefore, is not limited to
components and structures taken from existing models – though such collections could be also produced.
The SuperflexPy model library may grow as new users share their implementations with the community.
830 In order to facilitate the use of SuperflexPy, its code is accessible on GitHub with license LGPL-3.0 and
distributed using the Python package installer PyPI (see the code availability section at the end of this
paper). The online documentation provides a guide for colleagues interested in contributing to the
framework (section 2.1 of the supplementary material).

6 Summary and conclusions

835 SuperflexPy is a new Python flexible modelling framework for building conceptual catchment-scale
hydrological models ranging from lumped to distributed configurations. SuperflexPy offers detailed
control over each aspect of model configuration, and caters to a wide range of typical conceptual model
applications. In order to facilitate the model building process, the framework defines its *components*
(building blocks) at four hierarchical levels, namely *element*, *unit*, *node*, and *network*. These *components*
840 support conceptual model setups of increasing levels of complexity, including but not limited to: a single
element model (e.g. a reservoir), a typical lumped model (e.g. a collection of interconnected reservoirs),
a semi-distributed model designed to provide prediction at a single outlet, and a semi-distributed model
designed to provide predictions at internal sub-catchments. The construction of a model from components
up to a given hierarchical level does not require specifying components at higher levels, which makes the
845 model configuration effort proportional to the complexity of the application and reduces

configuration/computational overheads. The framework supports multiple states and fluxes in each *component*, which facilitates future extension to applications where such functionality is needed.

SuperflexPy offers an open source implementation of the SUPERFLEX principles (Fenicia et al., 2011) that builds on the collective experience of the authors and their colleagues in hydrological model design and application. The paper discusses the key design choices made in SuperflexPy, with emphasis on the ease of use and interfacing, availability, amenability of extensions, and computational efficiency.

The use of the SuperflexPy framework is illustrated using two examples that represent typical tasks in conceptual hydrological modelling: the implementation of a lumped model to simulate an entire catchment, and the implementation of a distributed model to simulate a system of multiple sub-catchments with spatially varying landscape characteristics. We hope the framework will contribute to ongoing efforts in the hydrological modelling community to develop more robust and representative models. The framework is open source, available with license LGPL-3.0 on GitHub.

Code availability

The source code of SuperflexPy, together with documentation and examples, is hosted in the public GitHub repository <https://github.com/dalmo1991/superflexPy>. Github is used for issue-tracking. Package releases are distributed using the Python package index <https://pypi.org/project/superflexpy>. Releases are identified using a version number based on Semantic Versioning 2.0.0 and assigned a DOI through Zenodo. The release associated with this paper represents version 1.3.0 and has DOI <https://doi.org/10.5281/zenodo.5235158>. Detailed documentation is available through Read the Docs at <https://superflexpy.readthedocs.io>. The supplementary material to this paper represents a snapshot of the documentation at the time reported on the front page.

SuperflexPy is implemented using Python 3.7 and depends on Numpy (version 1.19) and Numba (version 0.50).

SuperflexPy is available under the license LGPL-3.0. Users of the framework are invited to share their modelling solutions with the community by contributing to the GitHub repository.

Author contributions

All authors contributed to writing the paper. MDM designed, implemented, and documented the Python package, with input from FF and DK.

Competing interests

875 The authors declare that they have no conflict of interest.

Acknowledgements

We thank Associate Editor Andrew Wickert, Philip Kraft, Riccardo Rigon, and two anonymous reviewers for their thoughtful and constructive feedback on our manuscript. We are grateful to James Craig, Martyn Futter, David Kneis, Wouter Knoben, and Philip Kraft for providing fast and informative responses that
880 helped us construct Tables 1 and 2.

Financial support

This research has been supported by the Schweizerischer Nationalfonds zur Förderung der Wissenschaftlichen Forschung (grant no. 200021_169003).

References

- 885 Ammann, L., Doppler, T., Stamm, C., Reichert, P., and Fenicia, F.: Characterizing fast herbicide transport in a small agricultural catchment with conceptual models, *Journal of Hydrology*, 586, 124812, <https://doi.org/10.1016/j.jhydrol.2020.124812>, 2020.
- Arnold, J. G., Srinivasan, R., Muttiah, R. S., and Williams, J. R.: Large area hydrologic modeling and assessment. Part I: model development, *JAWRA Journal of the American Water Resources Association*, 34, 73-89, 10.1111/j.1752-1688.1998.tb05961.x, 1998.
- 890 Arnold, J. G., Moriasi, D. N., Gassman, P. W., Abbaspour, K. C., White, M. J., Srinivasan, R., Santhi, C., Harmel, R. D., van Griensven, A., Van Liew, M. W., Kannan, N., and Jha, M. K.: SWAT: Model Use, Calibration, and Validation, *Transactions of the ASABE*, 55, 1491-1508, <https://doi.org/10.13031/2013.42256>, 2012.
- Bancheri, M., Serafin, F., and Rigon, R.: The Representation of Hydrological Dynamical Systems Using Extended Petri Nets (EPN), *Water Resources Research*, 55, 8895-8921, <https://doi.org/10.1029/2019WR025099>, 2019.
- 895 Bertuzzo, E., Thomet, M., Botter, G., and Rinaldo, A.: Catchment-scale herbicides transport: Theory and application, *Advances in Water Resources*, 52, 232-242, <https://doi.org/10.1016/j.advwatres.2012.11.007>, 2013.
- Beven, K.: Changing ideas in hydrology — The case of physically-based models, *Journal of Hydrology*, 105, 157-172, [https://doi.org/10.1016/0022-1694\(89\)90101-7](https://doi.org/10.1016/0022-1694(89)90101-7), 1989.
- 900 Beven, K. J., and Kirkby, M. J.: A physically based, variable contributing area model of basin hydrology / Un modèle à base physique de zone d'appel variable de l'hydrologie du bassin versant, *Hydrological Sciences Bulletin*, 24, 43-69, 10.1080/02626667909491834, 1979.
- Beven, K. J.: Uniqueness of place and process representations in hydrological modelling, *Hydrol. Earth Syst. Sci.*, 4, 203-213, 10.5194/hess-4-203-2000, 2000.
- 905 Boyle, D. P.: Multicriteria calibration of hydrologic models, The University of Arizona., 2001.
- Boyle, D. P., Gupta, H. V., Sorooshian, S., Koren, V., Zhang, Z., and Smith, M.: Toward improved streamflow forecasts: value of semidistributed modeling, *Water Resources Research*, 37, 2749-2759, 10.1029/2000wr000207, 2001.
- Butcher, J. C., and Goodwin, N.: Numerical methods for ordinary differential equations, Wiley Online Library, 2008.
- 910 Clark, M. P., Slater, A. G., Rupp, D. E., Woods, R. A., Vrugt, J. A., Gupta, H. V., Wagener, T., and Hay, L. E.: Framework for Understanding Structural Errors (FUSE): A modular framework to diagnose differences between hydrological models, *Water Resources Research*, 44, Artn W00b02 10.1029/2007wr006735, 2008.

- Clark, M. P., and Kavetski, D.: Ancient numerical daemons of conceptual hydrological modeling: 1. Fidelity and efficiency of time stepping schemes, *Water Resources Research*, 46, <https://doi.org/10.1029/2009WR008894>, 2010.
- 915 Clark, M. P., Kavetski, D., and Fenicia, F.: Pursuing the method of multiple working hypotheses for hydrological modeling, *Water Resources Research*, 47, Artn W09301 10.1029/2010wr009827, 2011a.
- Clark, M. P., McMillan, H. K., Collins, D. B. G., Kavetski, D., and Woods, R. A.: Hydrological field data from a modeller's perspective: Part 2: process-based evaluation of model hypotheses, *Hydrological Processes*, 25, 523-543, 10.1002/hyp.7902, 2011b.
- 920 Clark, M. P., Nijssen, B., Lundquist, J. D., Kavetski, D., Rupp, D. E., Woods, R. A., Freer, J. E., Gutmann, E. D., Wood, A. W., Brekke, L. D., Arnold, J. R., Gochis, D. J., and Rasmussen, R. M.: A unified approach for process-based hydrologic modeling: 1. Modeling concept, *Water Resources Research*, 51, 2498-2514, 10.1002/2015wr017198, 2015.
- Craig, J. R., Brown, G., Chlumsky, R., Jenkinson, R. W., Jost, G., Lee, K., Mai, J., Serrer, M., Sgro, N., Shafii, M., Snowdon, A. P., and Tolson, B. A.: Flexible watershed simulation with the Raven hydrological modelling framework, *Environ Modell Softw*, 129, 104728, <https://doi.org/10.1016/j.envsoft.2020.104728>, 2020.
- 925 Dal Molin, M., Schirmer, M., Zappa, M., and Fenicia, F.: Understanding dominant controls on streamflow spatial variability to set up a semi-distributed hydrological model: the case study of the Thur catchment, *Hydrol. Earth Syst. Sci.*, 24, 1319-1345, 10.5194/hess-24-1319-2020, 2020.
- David, P. C., Oliveira, D. Y., Grison, F., Kobiyama, M., and Chaffe, P. L. B.: Systematic increase in model complexity helps to identify dominant streamflow mechanisms in two small forested basins, *Hydrological Sciences Journal*, 64, 455-472, 10.1080/02626667.2019.1585858, 2019.
- 930 Dowell, M., and Jarratt, P.: The "Pegasus" method for computing the root of an equation, *BIT Numerical Mathematics*, 12, 503-508, 10.1007/BF01932959, 1972.
- Eckhardt, K., and Ulbrich, U.: Potential impacts of climate change on groundwater recharge and streamflow in a central European low mountain range, *Journal of Hydrology*, 284, 244-252, <https://doi.org/10.1016/j.jhydrol.2003.08.005>, 2003.
- 935 Fenicia, F., Savenije, H. H. G., Matgen, P., and Pfister, L.: Is the groundwater reservoir linear? Learning from data in hydrological modelling, *Hydrol. Earth Syst. Sci.*, 10, 139-150, 10.5194/hess-10-139-2006, 2006.
- Fenicia, F., Savenije, H. H. G., Matgen, P., and Pfister, L.: Understanding catchment behavior through stepwise model concept improvement, *Water Resources Research*, 44, <https://doi.org/10.1029/2006WR005563>, 2008.
- 940 Fenicia, F., Wrede, S., Kavetski, D., Pfister, L., Hoffmann, L., Savenije, H. H. G., and McDonnell, J. J.: Assessing the impact of mixing assumptions on the estimation of streamwater mean residence time, *Hydrological Processes*, 24, 1730-1741, 10.1002/hyp.7595, 2010.
- Fenicia, F., Kavetski, D., and Savenije, H. H. G.: Elements of a flexible approach for conceptual hydrological modeling: 1. Motivation and theoretical development, *Water Resources Research*, 47, Artn W11510 10.1029/2010wr010174, 2011.
- 945 Fenicia, F., Kavetski, D., Savenije, H. H. G., Clark, M. P., Schoups, G., Pfister, L., and Freer, J.: Catchment properties, function, and conceptual model representation: is there a correspondence?, *Hydrological Processes*, 28, 2451-2467, 10.1002/hyp.9726, 2014.
- Fenicia, F., Kavetski, D., Savenije, H. H. G., and Pfister, L.: From spatially variable streamflow to distributed hydrological models: Analysis of key modeling decisions, *Water Resources Research*, 52, 954-989, 10.1002/2015wr017398, 2016.
- 950 Feyen, L., Kalas, M., and Vrugt, J. A.: Semi-distributed parameter optimization and uncertainty assessment for large-scale streamflow simulation using global optimization/Optimisation de paramètres semi-distribués et évaluation de l'incertitude pour la simulation de débits à grande échelle par l'utilisation d'une optimisation globale, *Hydrological Sciences Journal*, 53, 293-308, 2008.
- Formetta, G., Antonello, A., Franceschi, S., David, O., and Rigon, R.: Hydrological modelling with components: A GIS-based open-source framework, *Environ Modell Softw*, 55, 190-200, <https://doi.org/10.1016/j.envsoft.2014.01.019>, 2014.
- 955 Futter, M. N., Erlandsson, M. A., Butterfield, D., Whitehead, P. G., Oni, S. K., and Wade, A. J.: PERSiST: a flexible rainfall-runoff modelling toolkit for use with the INCA family of models, *Hydrol. Earth Syst. Sci.*, 18, 855-873, 10.5194/hess-18-855-2014, 2014.
- 960 Gao, H., Hrachowitz, M., Fenicia, F., Gharari, S., and Savenije, H. H. G.: Testing the realism of a topography-driven model (FLEX-Topo) in the nested catchments of the Upper Heihe, China, *Hydrol. Earth Syst. Sci.*, 18, 1895-1915, 10.5194/hess-18-1895-2014, 2014.

- Henn, B., Clark, M. P., Kavetski, D., Newman, A. J., Hughes, M., McGurk, B., and Lundquist, J. D.: Spatiotemporal patterns of precipitation inferred from streamflow observations across the Sierra Nevada mountain range, *Journal of Hydrology*, 556, 993-1012, <https://doi.org/10.1016/j.jhydrol.2016.08.009>, 2018.
- 965 Houska, T., Kraft, P., Chamorro-Chavez, A., and Breuer, L.: SPOTting Model Parameters Using a Ready-Made Python Package, *PLoS One*, 10, e0145180-e0145180, 10.1371/journal.pone.0145180, 2015.
- Hrachowitz, M., Fovet, O., Ruiz, L., Euser, T., Gharari, S., Nijzink, R., Freer, J., Savenije, H. H. G., and Gascuel-Oudou, C.: Process consistency in models: The importance of system signatures, expert knowledge, and process complexity, *Water Resources Research*, 50, 7445-7469, 10.1002/2014wr015484, 2014.
- 970 Ibbitt, R. P., and O'Donnell, T.: Designing conceptual catchment models for automatic fitting methods, IAHS Publication, 101, 462-475, 1971.
- Jakeman, A. J., and Hornberger, G. M.: How Much Complexity Is Warranted in a Rainfall-Runoff Model, *Water Resources Research*, 29, 2637-2649, Doi 10.1029/93wr00877, 1993.
- 975 Jansen, K. F., Teuling, A. J., Craig, J. R., Dal Molin, M., Knoben, W. J. M., Parajka, J., Vis, M., and Melsen, L. A.: Mimicry of a conceptual hydrological model (HBV): What's in a name?, *Water Resources Research*, n/a, e2020WR029143, <https://doi.org/10.1029/2020WR029143>, 2021.
- Kavetski, D., and Kuczera, G.: Model smoothing strategies to remove microscale discontinuities and spurious secondary optima in objective functions in hydrological calibration, *Water Resources Research*, 43, Artn W03411 10.1029/2006wr005195, 2007.
- 980 Kavetski, D., and Clark, M. P.: Ancient numerical daemons of conceptual hydrological modeling: 2. Impact of time stepping schemes on model analysis and prediction, *Water Resources Research*, 46, 10.1029/2009wr008896, 2010.
- Kavetski, D., and Fenicia, F.: Elements of a flexible approach for conceptual hydrological modeling: 2. Application and experimental insights, *Water Resources Research*, 47, Artn W11511 10.1029/2011wr010748, 2011.
- Kirchner, J. W.: Catchments as simple dynamical systems: Catchment characterization, rainfall-runoff modeling, and doing hydrology backward, *Water Resources Research*, 45, Artn W02429 10.1029/2008wr006912, 2009.
- 985 Kneis, D.: A lightweight framework for rapid development of object-based hydrological model engines, *Environ Modell Softw*, 68, 110-121, <https://doi.org/10.1016/j.envsoft.2015.02.009>, 2015.
- 990 Knoben, W. J. M., Freer, J. E., Fowler, K. J. A., Peel, M. C., and Woods, R. A.: Modular Assessment of Rainfall-Runoff Models Toolbox (MARRMoT) v1.2: an open-source, extendable framework providing implementations of 46 conceptual hydrologic models as continuous state-space formulations, *Geosci Model Dev*, 12, 2463-2480, 10.5194/gmd-12-2463-2019, 2019.
- Kraft, P., Vaché, K. B., Frede, H.-G., and Breuer, L.: CMF: A Hydrological Programming Language Extension For Integrated Catchment Models, *Environ Modell Softw*, 26, 828-830, <https://doi.org/10.1016/j.envsoft.2010.12.009>, 2011.
- 995 Kuczera, G., Kavetski, D., Franks, S., and Thyer, M.: Towards a Bayesian total error analysis of conceptual rainfall-runoff models: Characterising model error using storm-dependent parameters, *Journal of Hydrology*, 331, 161-177, <https://doi.org/10.1016/j.jhydrol.2006.05.010>, 2006.
- Lam, S. K., Pitrou, A., and Seibert, S.: Numba: a LLVM-based Python JIT compiler, *Proceedings of the Second Workshop on the LLVM Compiler Infrastructure in HPC*, Association for Computing Machinery, Austin, Texas, Article 7 pp., 2015.
- Leavesley, G. H.: Precipitation-runoff modeling system: User's manual, 4238, US Department of the Interior, 1984.
- 1000 Lerat, J., Andreassian, V., Perrin, C., Vaze, J., Perraud, J.-M., Ribstein, P., and Loumagne, C.: Do internal flow measurements improve the calibration of rainfall-runoff models?, *Water Resources Research*, 48, 2012.
- Lindstrom, G., Johansson, B., Persson, M., Gardelin, M., and Bergstrom, S.: Development and test of the distributed HBV-96 hydrological model, *Journal of Hydrology*, 201, 272-288, Doi 10.1016/S0022-1694(97)00041-3, 1997.
- 1005 Marsh, C. B., Pomeroy, J. W., and Wheeler, H. S.: The Canadian Hydrological Model (CHM) v1.0: a multi-scale, multi-extent, variable-complexity hydrological model – design and overview, *Geosci. Model Dev.*, 13, 225-247, 10.5194/gmd-13-225-2020, 2020.
- Matgen, P., Fenicia, F., Heitz, S., Plaza, D., de Keyser, R., Pauwels, V. R. N., Wagner, W., and Savenije, H.: Can ASCAT-derived soil wetness indices reduce predictive uncertainty in well-gauged areas? A comparison with in situ observed soil moisture in an assimilation application, *Advances in Water Resources*, 44, 49-65, <https://doi.org/10.1016/j.advwatres.2012.03.022>, 2012.
- 1010 Maxwell, R. M.: A terrain-following grid transform and preconditioner for parallel, large-scale, integrated hydrologic modeling, *Advances in Water Resources*, 53, 109-117, <https://doi.org/10.1016/j.advwatres.2012.10.001>, 2013.

- McInerney, D., Thyer, M., Kavetski, D., Githui, F., Thayalakumaran, T., Liu, M., and Kuczera, G.: The Importance of Spatiotemporal Variability in Irrigation Inputs for Hydrological Modeling of Irrigated Catchments, *Water Resources Research*, 54, 6792-6821, 10.1029/2017wr022049, 2018.
- 1015 Meyer, B.: Object-oriented software construction, Prentice hall New York, 1988.
- Moore, R. J., and Clarke, R. T.: A distribution function approach to rainfall runoff modeling, *Water Resources Research*, 17, 1367-1382, 10.1029/WR017i005p01367, 1981.
- Moradkhani, H., and Sorooshian, S.: General review of rainfall-runoff modeling: model calibration, data assimilation, and uncertainty analysis, in: *Hydrological modelling and the water cycle*, Springer, 1-24, 2009.
- 1020 Moser, A., Wemyss, D., Scheidegger, R., Fenicia, F., Honti, M., and Stamm, C.: Modelling biocide and herbicide concentrations in catchments of the Rhine basin, *Hydrol. Earth Syst. Sci.*, 22, 4229-4249, 10.5194/hess-22-4229-2018, 2018.
- Nash, J.: The form of the instantaneous unit hydrograph, *International Association of Scientific Hydrology, Publ*, 3, 114-121, 1957.
- 1025 Nijzink, R. C., Samaniego, L., Mai, J., Kumar, R., Thober, S., Zink, M., Schäfer, D., Savenije, H. H. G., and Hrachowitz, M.: The importance of topography-controlled sub-grid process heterogeneity and semi-quantitative prior constraints in distributed hydrological models, *Hydrol. Earth Syst. Sci.*, 20, 1151-1176, 10.5194/hess-20-1151-2016, 2016.
- Paszke, A., Gross, S., Massa, F., Lerer, A., Bradbury, J., Chanan, G., Killeen, T., Lin, Z., Gimelshein, N., and Antiga, L.: PyTorch: An imperative style, high-performance deep learning library, *Advances in Neural Information Processing Systems*, 2019, 8024-8035,
- 1030 Pedregosa, F., Varoquaux, G., Gramfort, A., Michel, V., Thirion, B., Grisel, O., Blondel, M., Prettenhofer, P., Weiss, R., and Dubourg, V.: Scikit-learn: Machine learning in Python, the *Journal of machine Learning research*, 12, 2825-2830, 2011.
- Perrin, C., Michel, C., and Andréassian, V.: Improvement of a parsimonious model for streamflow simulation, *Journal of Hydrology*, 279, 275-289, [https://doi.org/10.1016/S0022-1694\(03\)00225-7](https://doi.org/10.1016/S0022-1694(03)00225-7), 2003.
- 1035 Press, W. H., Teukolsky, S. A., Flannery, B. P., and Vetterling, W. T.: Numerical recipes in Fortran 77: volume 1, volume 1 of *Fortran numerical recipes: the art of scientific computing*, Cambridge university press, 1992.
- Refsgaard, J.: Terminology, Modelling Protocol And Classification of Hydrological Model Codes, in: *Distributed Hydrological Modelling*, 17, 1996.
- Refsgaard, J. C., and Storm, B.: MIKE SHE, in: *Computer Models of Watershed Hydrology*, edited by: Singh, V. P., Water Resources Publications, Colorado, 809-846, 1995.
- 1040 Reichert, P., and Mieleitner, J.: Analyzing input and structural uncertainty of nonlinear dynamic models with stochastic, time-dependent parameters, *Water Resources Research*, 45, 10.1029/2009wr007814, 2009.
- Renard, B., Kavetski, D., Leblois, E., Thyer, M., Kuczera, G., and Franks, S. W.: Toward a reliable decomposition of predictive uncertainty in hydrological modeling: Characterizing rainfall errors using conditional simulation, *Water Resources Research*, 47, <https://doi.org/10.1029/2011WR010643>, 2011.
- 1045 Samaniego, L., Kumar, R., and Attinger, S.: Multiscale parameter regionalization of a grid-based hydrologic model at the mesoscale, *Water Resources Research*, 46, 10.1029/2008wr007327, 2010.
- Seibert, J., and McDonnell, J. J.: On the dialog between experimentalist and modeler in catchment hydrology: Use of soft data for multicriteria model calibration, *Water Resources Research*, 38, 23-21-23-14, 10.1029/2001wr000978, 2002.
- 1050 Seibert, J., Rodhe, A., and Bishop, K.: Simulating interactions between saturated and unsaturated storage in a conceptual runoff model, *Hydrological Processes*, 17, 379-390, 2003.
- Sivapalan, M., Beven, K., and Wood, E. F.: On hydrologic similarity: 2. A scaled model of storm runoff production, *Water Resources Research*, 23, 2266-2278, <https://doi.org/10.1029/WR023i012p02266>, 1987.
- Sivapalan, M., Blöschl, G., Zhang, L., and Vertessy, R.: Downward approach to hydrological prediction, *Hydrological Processes*, 17, 2101-2111, 10.1002/hyp.1425, 2003.
- 1055 van Esse, W. R., Perrin, C., Booij, M. J., Augustijn, D. C. M., Fenicia, F., Kavetski, D., and Lobligeois, F.: The influence of conceptual model structure on model performance: a comparative study for 237 French catchments, *Hydrology and Earth System Sciences*, 17, 4227-4239, 10.5194/hess-17-4227-2013, 2013.
- Vitolo, C., Wells, P., Dobias, M., and Buytaert, W.: fuse: An R package for ensemble Hydrological Modelling, *Journal of Open Source Software*, 1, 52, 10.21105/joss.00052, 2016.
- 1060 Wagener, T., Sivapalan, M., Troch, P., and Woods, R.: Catchment Classification and Hydrologic Similarity, *Geography Compass*, 1, 901-931, doi:10.1111/j.1749-8198.2007.00039.x, 2007.

Walt, S. v. d., Colbert, S. C., and Varoquaux, G.: The NumPy Array: A Structure for Efficient Numerical Computation, *Computing in Science & Engineering*, 13, 22-30, 10.1109/mcse.2011.37, 2011.

1065 Westra, S., Thyer, M., Leonard, M., Kavetski, D., and Lambert, M.: A strategy for diagnosing and interpreting hydrological model nonstationarity, *Water Resources Research*, 50, 5090-5113, 10.1002/2013wr014719, 2014.

Wrede, S., Fenicia, F., Martínez-Carreras, N., Juilleret, J., Hissler, C., Krein, A., Savenije, H. H. G., Uhlenbrook, S., Kavetski, D., and Pfister, L.: Towards more systematic perceptual model development: a case study using 3 Luxembourgish catchments, *Hydrological Processes*, 29, 2731-2750, 10.1002/hyp.10393, 2015.

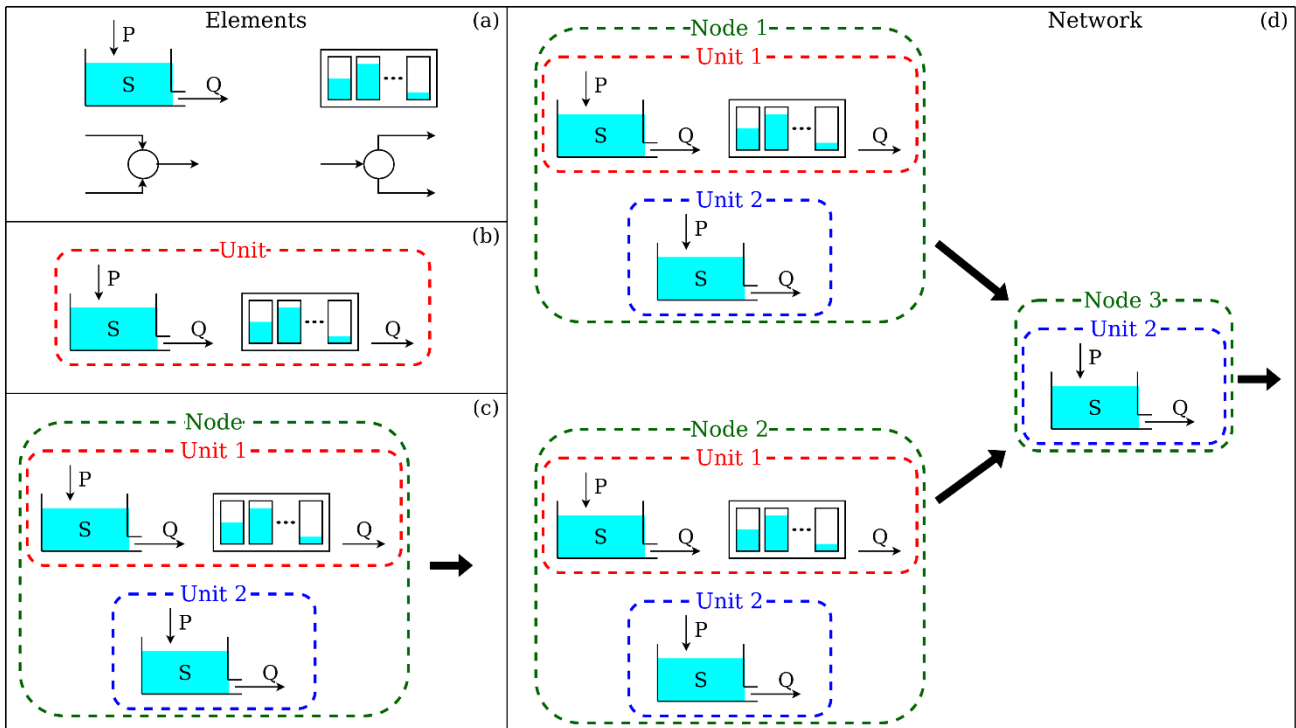
1070 Young, P.: Data-based mechanistic modelling of environmental, ecological, economic and engineering systems, *Environ Modell Softw*, 13, 105-122, [https://doi.org/10.1016/S1364-8152\(98\)00011-5](https://doi.org/10.1016/S1364-8152(98)00011-5), 1998.

Young, P. C.: Stochastic, dynamic modelling and signal processing: time variable and state dependent parameter estimation, *Nonlinear and nonstationary signal processing*, 74-114, 2000.

Young, P. C., Tych, W., and Taylor, C. J.: The Captain Toolbox for Matlab, *IFAC Proceedings Volumes*, 42, 758-763, <https://doi.org/10.3182/20090706-3-FR-2004.00126>, 2009.

1075

Figures



1080 **Figure 1.** The four hierarchical levels of SuperflexPy and their respective *components*. (a) *Elements* (e.g. reservoirs, lags, connections) are used to represent individual hydrological processes/catchment response mechanisms; (b) *Units* connect multiple elements and are intended to implement lumped catchment models; (c) *Nodes* collect multiple units that operate in parallel representing different landscape elements within a catchment; (d) *Network* connects multiple nodes and is used to represent distributed setups.

1085

```

1 from superflexpy.implementation.elements.hymod import LinearReservoir
2 from superflexpy.implementation.elements.thur_model_hess import HalfTriangularLag
3 from superflexpy.framework.unit import Unit
4 from superflexpy.framework.node import Node
5 from superflexpy.framework.network import Network
6 from superflexpy.implementation.root_finders.pegasus import PegasusPython
7 from superflexpy.implementation.numerical_approximators.implicit_euler import ImplicitEulerPython
8
9 # Initialize computational tools
10 root_finder = PegasusPython()
11 numerical_approximator = ImplicitEulerPython(root_finder=root_finder)
12
13 # Initialize the elements
14 linear_reservoir = LinearReservoir(parameters={'k': 0.1}, states={'S0': 10.0},
15                                     approximation=numerical_approximator, id='LR')
16 lag = HalfTriangularLag(parameters={'lag-time': 3.5}, states={'lag': None}, id='LAG')
17
18 # Initialize the units
19 unit1 = Unit(layers=[[linear_reservoir], [lag]], id='U1')
20 unit2 = Unit(layers=[[linear_reservoir]], id='U2')
21
22 # Change parameters
23 unit2.set_parameters({'U2_LR_k': 0.2})
24
25 # Initialize the nodes
26 node1 = Node(units=[unit1, unit2], weights=[0.7, 0.3], area=5.0, id='N1')
27 node2 = Node(units=[unit1, unit2], weights=[0.9, 0.1], area=2.0, id='N2')
28 node3 = Node(units=[unit2], weights=[1.0], area=1.0, id='N3')
29
30 # Initialize the network
31 net = Network(nodes=[node1, node2, node3], topology={'N1': 'N3', 'N2': 'N3', 'N3': None})
32
33 # Assign the inputs to the nodes (assume P1, P2, P3 have been read)
34 node1.set_input([P1])
35 node2.set_input([P2])
36 node3.set_input([P3])
37
38 # Set the timestep
39 net.set_timestep(1.0)
40
41 # Run the model
42 net.get_output()

```

Figure 2. SuperflexPy code implementing the simple illustrative model in Figure 1d.

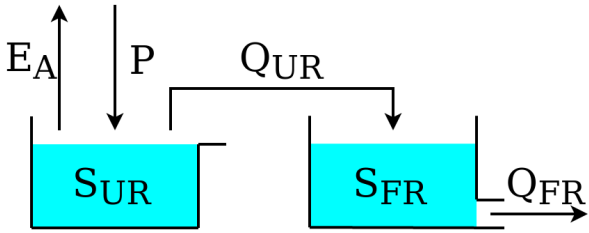


Figure 3. Schematic of model M4 used in the original SUPERFLEX case studies of Kavetski and Fenicia (2011).

```

1 from superflexpy.implementation.root_finders.pegasus import PegasusPython
2 from superflexpy.implementation.numerical_approximators.implicit_euler import ImplicitEulerPython
3 from superflexpy.implementation.elements.hbv import UnsaturatedReservoir, PowerReservoir
4 from superflexpy.framework.unit import Unit
5 import numpy as np
6
7 root_finder = PegasusPython()
8 numeric_approximator = ImplicitEulerPython(root_finder=root_finder)
9
10 ur = UnsaturatedReservoir(parameters={'Smax': 50.0, 'Ce': 1.0, 'm': 0.01, 'beta': 2.0},
11                               states={'S0': 25.0}, approximation=numeric_approximator, id='UR')
12 fr = PowerReservoir(parameters={'k': 0.1, 'alpha': 1.0}, states={'S0': 10.0},
13                      approximation=numeric_approximator, id='FR')
14
15 model = Unit(layers=[[ur], [fr]], id='M4')
16
17 P = np.loadtxt('precipitation.txt')
18 EP = np.loadtxt('evap_pot.txt')
19
20 model.set_input([P, EP])
21 model.set_timestep(1.0)
22
23 output = model.get_output()

```

Figure 4. SuperflexPy code implementing model M4 in Figure 3.

```

1 class NewFastReservoir(ODEsElement):
2
3     def __init__(self, parameters, states, approximation, id):
4
5         ODEsElement.__init__(self, parameters=parameters, states=states,
6                               approximation=approximation, id=id)
7
8         # _fluxes_python is used to calculate the fluxes doing vector operations
9         self._fluxes_python = [self._fluxes_function_python]
10        # _fluxes is used to solve the ODE and it is specific to the architecture of the
numerical_approximator
11        self._fluxes = [self._fluxes_function_python]
12
13    def set_input(self, input):
14
15        self.input = {'P': input[0]}
16
17    def get_output(self, solve=True):
18
19        if solve:
20            self._solver_states = [self._states[self._prefix_states + 'S0']]
21            self._solve_differential_equation()
22            self.set_states({self._prefix_states + 'S0': self.state_array[-1, 0]})
23
24            fluxes = self._num_app.get_fluxes(fluxes=self._fluxes_python,
25                                             S=self.state_array,
26                                             S0=self._solver_states,
27                                             **self.input,
28                                             **{k[len(self._prefix_parameters):]: self._parameters[k]
29                                             for k in self._parameters})
30
31            return [- fluxes[0][1]]
32
33    @staticmethod
34    def _fluxes_function_python(S, S0, ind, P, k, alpha, b):
35
36        if ind is None:
37            return ([P, -(k * S**alpha)/(S + b)], 0.0, S0 + P)
38        else:
39            return ([P[ind], -(k[ind] * S**alpha[ind])/(S + b[ind])],
40                    0.0,
41                    S0 + P[ind],
42                    [0.0, (k[ind] * S**alpha[ind])/((S + b[ind])**2) - (alpha[ind] * k[ind] *
43                    S**(alpha[ind] - 1))/(S + b[ind])S0 + P[ind] * dt[ind]])

```

1100

Figure 5. General approach for implementing a new reservoir element `NewFastReservoir` by extending the class `ODEsElement` (Section 3.2.1).

```

1 class NewFastReservoir(PowerReservoir):
2
3     @staticmethod
4     def _fluxes_function_python(S, S0, ind, P, k, alpha, b):
5
6         if ind is None:
7             return ([P, -(k * S**alpha)/(S + b)], 0.0, S0 + P)
8         else:
9             return ([P[ind], -(k[ind] * S**alpha[ind])/(S + b[ind])],
10                    0.0,
11                    S0 + P[ind],
12                    [0.0, (k[ind] * S**alpha[ind])/((S + b[ind])**2) - (alpha[ind] * k[ind] *
S**(alpha[ind] - 1))/(S + b[ind])S0 + P[ind] * dt[ind]])

```

1105

Figure 6. Simplified approach for implementing the `NewFastReservoir` by inheriting directly from class `PowerReservoir` (Section 3.2.2).

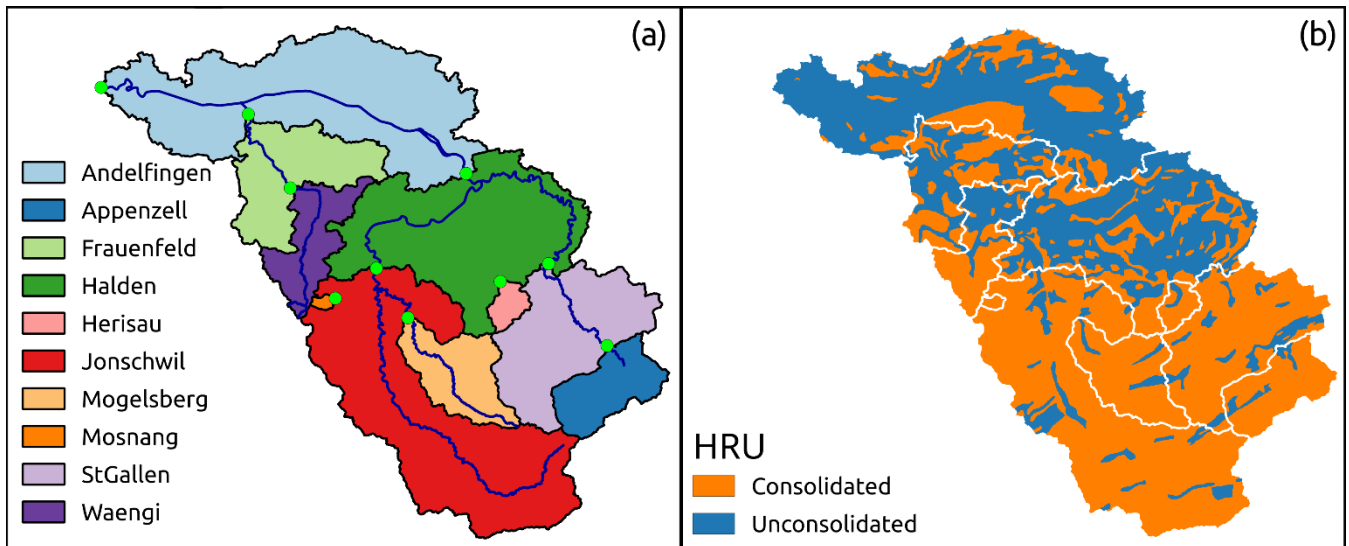
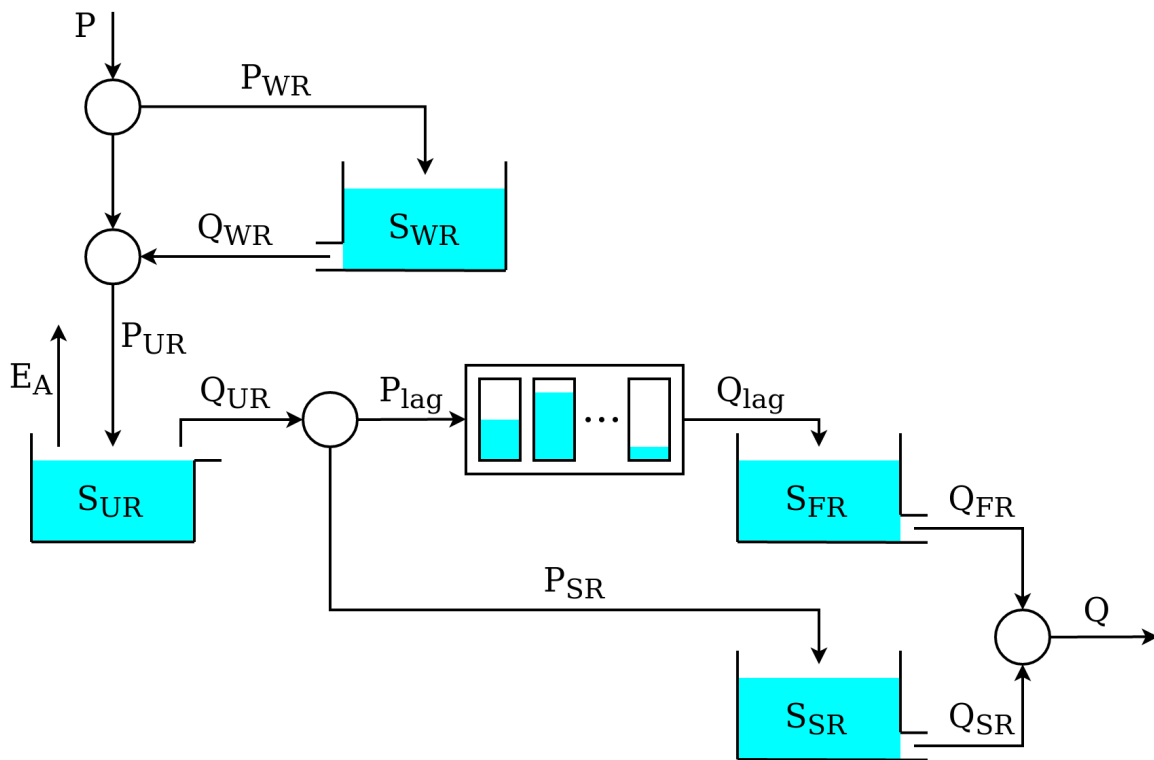
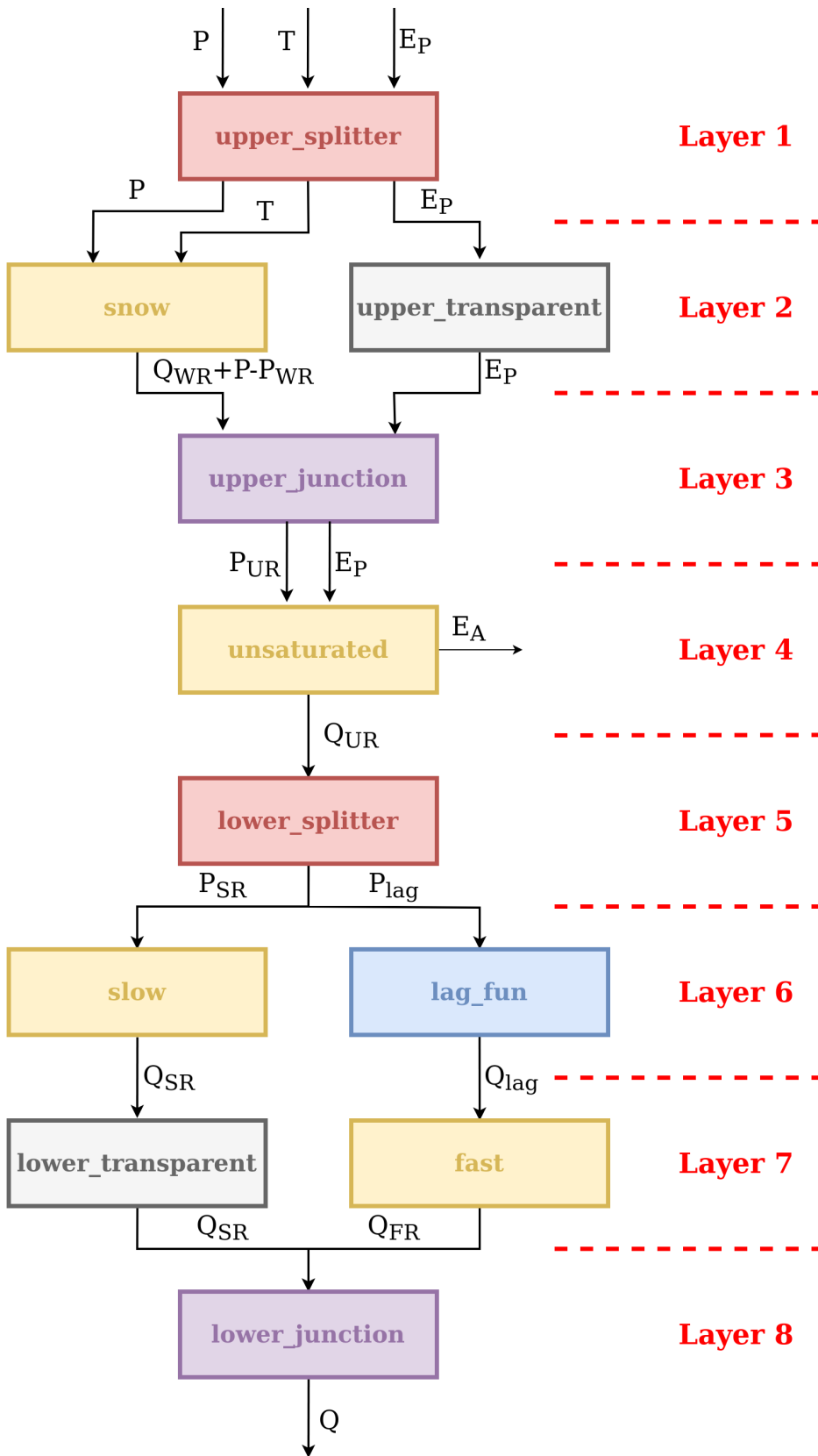


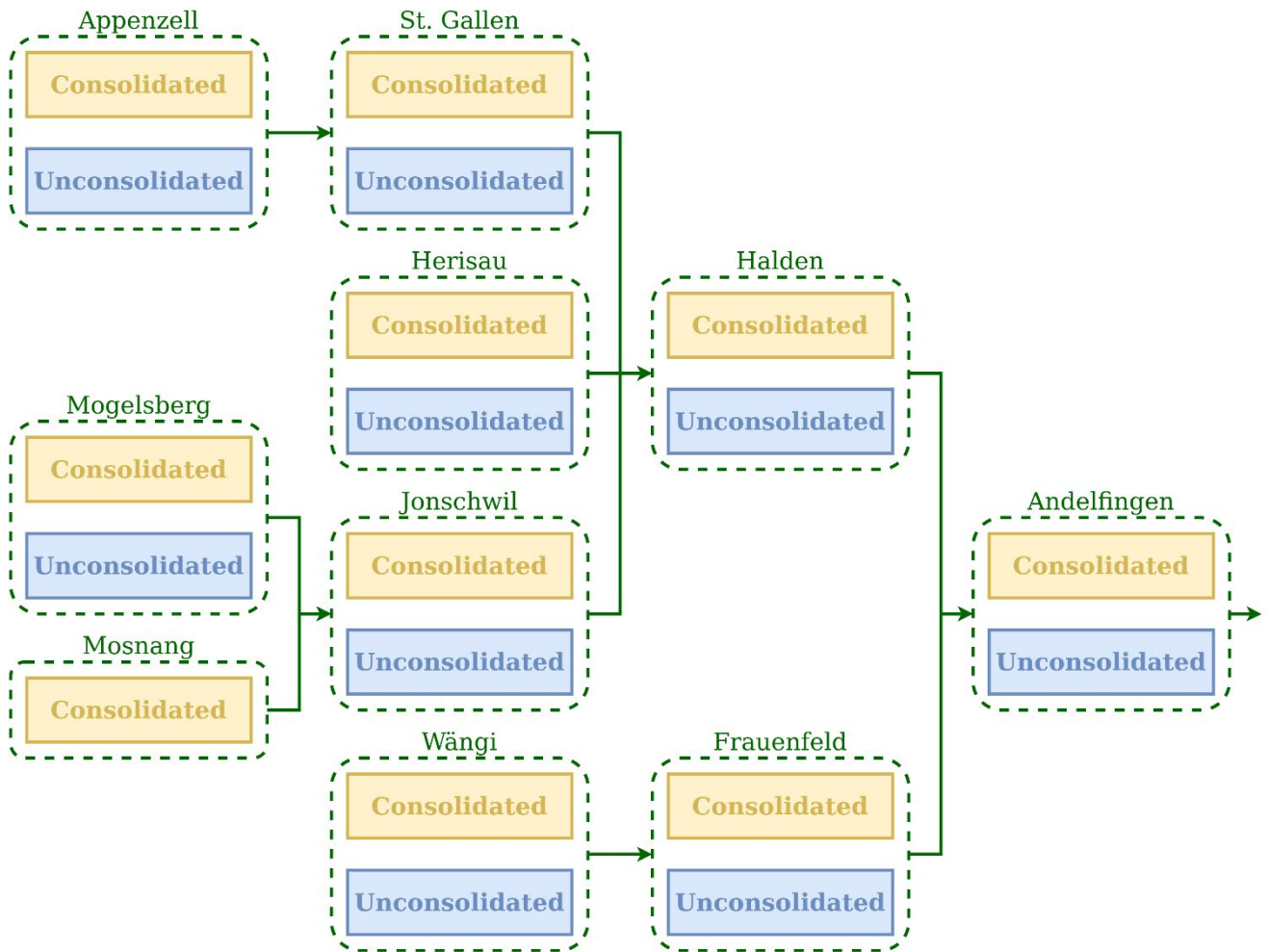
Figure 7. Illustration of catchment discretization used for a distributed application of SuperflexPy in the Thur catchment: (a) discretization into sub-catchments and (b) discretization into hydrological response units (HRUs) as presented in model M02 in Dal Molin et al. (2020). The panels of this figure were originally published in figures 1a and 6 of Dal Molin et al. (2020). The HRU model structure is shown in **Figure 8**.



1120 **Figure 8.** Model structure used to represent the HRUs in model M02 in Dal Molin et al. (2020). Refer to **Figure 7** for the corresponding HRU discretization of the Thur catchment.



1125 **Figure 9.** SuperflexPy representation of the model structure M02 in Figure 8.



1130 **Figure 10.** Spatial organization of the SuperflexPy model configuration used to simulate water fluxes in the Thur catchment (M02 in Dal Molin et al., 2020). The *units*, used to represent the HRUs, are shown using the blue and yellow boxes. The *nodes*, used to represent the sub-catchments, are shown using the green dashed boxes. The group of nodes connected together (green arrows) creates a *network*.

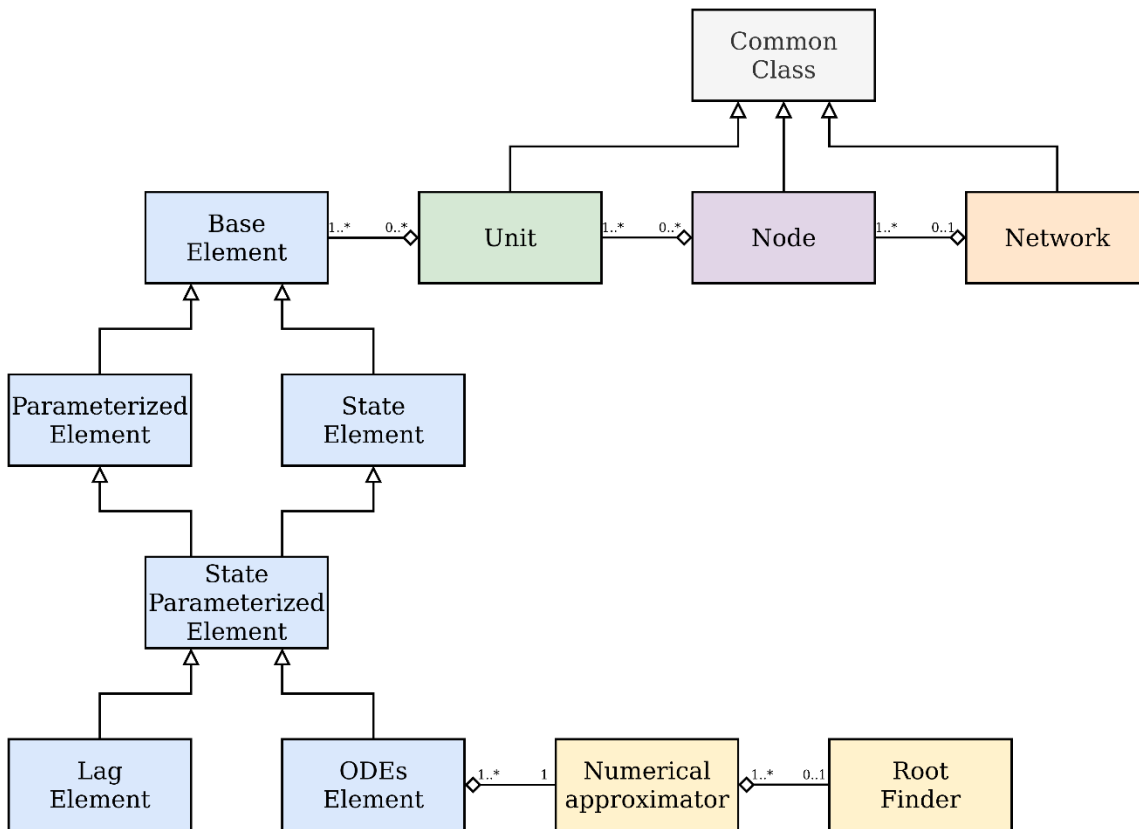
```

1 from superflexy.implementation.root_finders.pegasus import PegasusPython
2 from superflexy.implementation.numerical_approximators.implicit_euler import ImplicitEulerPython
3 from superflexy.implementation.elements.thur_model_hess import SnowReservoir, UnsaturatedReservoir,
  HalfTriangularLag, PowerReservoir
4 from superflexy.implementation.elements.structure_elements import Transparent, Junction, Splitter
5 from superflexy.framework.unit import Unit
6 from superflexy.framework.node import Node
7 from superflexy.framework.network import Network
8
9 # Initialize the elements
10 solver = PegasusPython()
11 approximator = ImplicitEulerPython(root_finder=solver)
12
13 upper_splitter = Splitter(direction=[[0, 1, None], [2, None, None]],
14                           weight=[[1.0, 1.0, 0.0], [0.0, 0.0, 1.0]],
15                           id='upper-splitter')
16 snow = SnowReservoir(parameters={'t0': 0.0, 'k': 0.01, 'm': 2.0}, states={'S0': 0.0},
17                       approximation=approximator, id='snow')
18 upper_transparent = Transparent(id='upper-transparent')
19 upper_junction = Junction(direction=[[0, None], [None, 0]], id='upper-junction')
20 unsaturated = UnsaturatedReservoir(parameters={'Smax': 50.0, 'Ce': 1.0, 'm': 0.01, 'beta': 2.0},
21                                    states={'S0': 10.0}, approximation=approximator, id='unsaturated')
22 lower_splitter = Splitter(direction=[[0], [0]], weight=[[0.3], [0.7]], id='lower-splitter')
23 lag_fun = HalfTriangularLag(parameters={'lag-time': 2.0}, states={'lag': None}, id='lag-fun')
24 fast = PowerReservoir(parameters={'k': 0.01, 'alpha': 3.0}, states={'S0': 0.0},
25                       approximation=approximator, id='fast')
26 slow = PowerReservoir(parameters={'k': 1e-4, 'alpha': 1.0}, states={'S0': 0.0},
27                       approximation=approximator, id='slow')
28 lower_transparent = Transparent(id='lower-transparent')
29 lower_junction = Junction(direction=[[0, 0]], id='lower-junction')
30
31 # Initialize the HRUs
32 consolidated = Unit(layers=[[upper_splitter], [snow, upper_transparent], [upper_junction],
33                             [unsaturated], [lower_splitter], [slow, lag_fun],
34                             [lower_transparent, fast], [lower_junction]],
35                    id='consolidated')
36 unconsolidated = Unit(layers=[[upper_splitter], [snow, upper_transparent], [upper_junction],
37                               [unsaturated], [lower_splitter], [slow, lag_fun],
38                               [lower_transparent, fast], [lower_junction]],
39                       id='unconsolidated')
40
41 # Create the catchments
42 andelfingen = Node(units=[consolidated, unsaturated], weights=[0.24, 0.76], area=403.3,
43                   id='andelfingen')
44 appenzell = Node(units=[consolidated, unsaturated], weights=[0.92, 0.08], area=74.4, id='appenzell')
45 frauenfeld = Node(units=[consolidated, unsaturated], weights=[0.49, 0.51], area=134.4,
46                  id='frauenfeld')
47 halden = Node(units=[consolidated, unsaturated], weights=[0.34, 0.66], area=314.3, id='halden')
48 herisau = Node(units=[consolidated, unsaturated], weights=[0.88, 0.12], area=16.7, id='herisau')
49 jonschwil = Node(units=[consolidated, unsaturated], weights=[0.9, 0.1], area=401.6, id='jonschwil')
50 mogelsberg = Node(units=[consolidated, unsaturated], weights=[0.92, 0.08], area=88.1,
51                  id='mogelsberg')
52 mosnang = Node(units=[consolidated], weights=[1.0], area=3.1, id='mosnang')
53 stgallen = Node(units=[consolidated, unsaturated], weights=[0.87, 0.13], area=186.6, id='stgallen')
54 waengi = Node(units=[consolidated, unsaturated], weights=[0.63, 0.37], area=78.9, id='waengi')
55
56 # Create the network
57 thur_catchment = Network(nodes=[andelfingen, appenzell, frauenfeld, halden, herisau,
58                               jonschwil, mogelsberg, mosnang, stgallen, waengi],
59                          topology={'andelfingen': None, 'appenzell': 'stgallen',
60                                   'frauenfeld': 'andelfingen', 'halden': 'andelfingen',
61                                   'herisau': 'halden', 'jonschwil': 'halden',
62                                   'mogelsberg': 'jonschwil', 'mosnang': 'jonschwil',
63                                   'stgallen': 'halden', 'waengi': 'frauenfeld'})

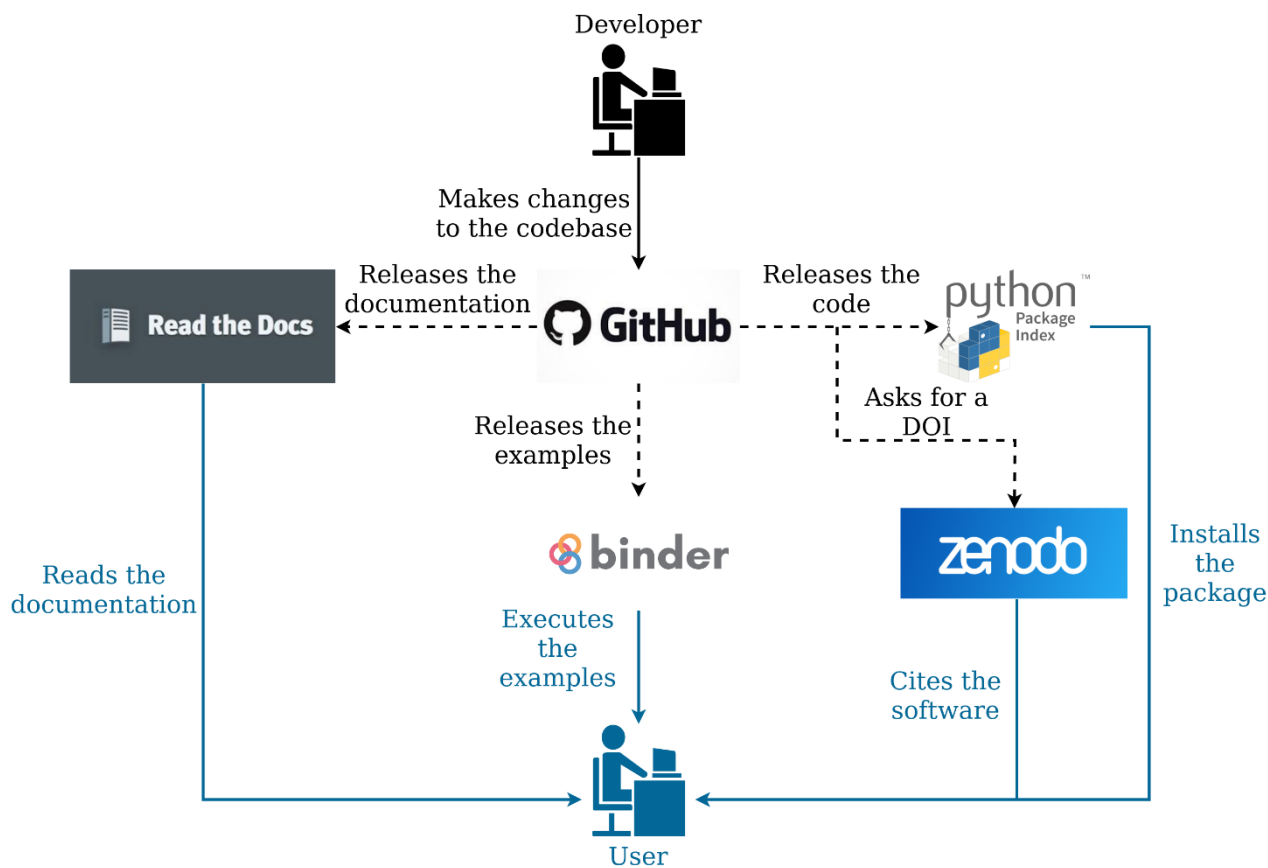
```

1135

Figure 11. SuperflexPy code implementing the distributed model in Figure 9 and Figure 10.



1140 **Figure 12.** UML class diagram showing the organization of the classes used to represent SuperflexPy components. The core framework is presented, excluding the specific implementations of *components* and numerical routines.



1145

Figure 13. Organization of the SuperflexPy project, indicating the online software management tools used to develop the source code and documentation, release product versions with associated DOIs, and provide general open access to all project components. Typical workflow paths for users and developers are shown, respectively, in the blue and black lines and font. Dashed lines represent automated workflows.

Table 1. Summary of usability characteristics of SuperflexPy in the context of selected flexible frameworks for conceptual hydrological modeling.*

	Availability	Distribution and installation	Documentation	Interface and setup	I/O format for settings and data	Possibility of customization	Built-in calibration and uncertainty analysis
SuperflexPy	Open source	Python package	Available	Python package. Python script to setup	Direct I/O with Python. No binding to particular formats	Possible with moderate programming expertise	Not present
FUSE (Fortran) (2008)	Exe or code, by request from authors	Standalone exe/code	Comments in code (limited)	Executable with/without GUI, or Fortran subs. Setup files	Structured text files	Possible but not supported systematically	Some versions are coupled with optimization and MCMC sampling tools
SUPERFLEX-F90 (2011)	Exe or code, by request from authors	Standalone exe	Comments in code (limited)	CLI or DLL or Fortran subs. Setup files	Structured text files	Possible but not supported systematically	Not present
CMF (2011)	Open source	Python package. Code compilation for enhancements	Available	Python package. Python script to setup. GUI only for lumped models	Direct I/O with Python. No binding to particular formats	Customization using C++. Possibility with Python under development	No. Developers recommend to use the SPOTpy package from the same group
PERSIST (2014)	Exe/webapp after registration	Standalone executable or webapp	Exists. Not public at the moment	Desktop app or webapp. Setup files or GUI	Structured text files and XMLs	Possible but not supported systematically	Incorporates MCMC toolkit
ECHSE (2015)	Open source	R package to generate C code that has to be compiled	Available	CLI. Setup through text file or CLI	Delimited text files	Possible with moderate programming expertise	Not present
MARRMoT (2019)	Open source	Matlab/Octave package	Available	Collection of scripts and functions. Setup with script.	Direct I/O with Matlab/Octave. No binding to particular formats	Possible with moderate programming expertise	Not present

RAVEN (2020)	Open source	Standalone executable. May require NetCDF	Available	Executable without GUI. Setup files	Structured text files	Possible but requires developer-level expertise. Instructions in the documentation	DDS optimization. Reports model performance metrics usable by external software
-------------------------	-------------	--	-----------	--	-----------------------	---	--

1150 *This information was collated based on published information. A brief informal review was provided by the framework developers.

Abbreviations: exe = binary executable, subs = subroutines, GUI = graphical user interface, CLI = command line interface, DLL = dynamic link library, MCMC = Monte Carlo Markov Chain, DDS = Dynamic Dimensioned Search

Table 2. Summary of simulation capabilities of SuperflexPy in the context of selected flexible frameworks for conceptual hydrological modeling.*

	Structural flexibility	Spatial flexibility	Hydrological processes	Numerical solution options	Pre and post processing	Programming language
SuperflexPy	Components can be connected freely	Lumped; semi-distributed	Water fluxes; Designed to handle multiple fluxes	Fixed step implicit and explicit Euler. Possibility to use custom solvers	Not available	Python
FUSE (Fortran) (2008)	Master structure; components selected for each model decision	Lumped	Water fluxes	Implicit, semi-implicit, explicit schemes; fixed and adaptive step solvers	Not available	Fortran
SUPERFLEX-F90 (2011)	Master structure; components can be turned on/off	Lumped; semi-distributed	Water fluxes; transport processes	Fixed step implicit and explicit Euler	Not available	Fortran
CMF (2011)	Components can be connected freely	Lumped; semi-distributed; fully-distributed	Water fluxes; transport processes	Implicit and explicit schemes; single or multistep solvers	Calculation methods for PET	Python wrapping of C++ code
PERSIST (2014)	Components can be connected freely	Semi-distributed	Water fluxes; designed to be coupled with transport models (INCA)	Implemented as a series of first order difference equations	PET calculated internally	C++
ECHSE (2015)	Components can be connected freely	Lumped; semi-distributed; grids	Water fluxes; transport processes	To be implemented by user when defining the components	Not available	C++; R package to generate C++ code
MARRMoT (2019)	Library of model structures. Possibility to combine different components	Lumped	Water fluxes	Fixed step implicit and explicit Euler. Possibility to use custom solvers	Not available	Matlab/Octave
RAVEN (2020)	Components can be connected freely	Grids; subbasin/HRUs; triangulated irregular network	Water fluxes; transport processes	Ordered series, Euler, and predictor/corrector global methods; local methods at process level	Calculation and interpolation (spatial and temporal) of derived fluxes and other variables	C++

1155

*This information was collated based on published information. A brief informal review was provided by the framework developers.