

Interactive comment on “Compact Modeling Framework v3.0 for high-resolution global ocean-ice-atmosphere models” by Vladimir V. Kalmykov et al.

Vladimir V. Kalmykov et al.

maksim.kaurkin@phystech.edu

Received and published: 26 June 2018

The comment was uploaded in the form of a supplement:
<https://www.geosci-model-dev-discuss.net/gmd-2017-294/gmd-2017-294-AC4-supplement.pdf>

Interactive comment on Geosci. Model Dev. Discuss., <https://doi.org/10.5194/gmd-2017-294>, 2018.

C1

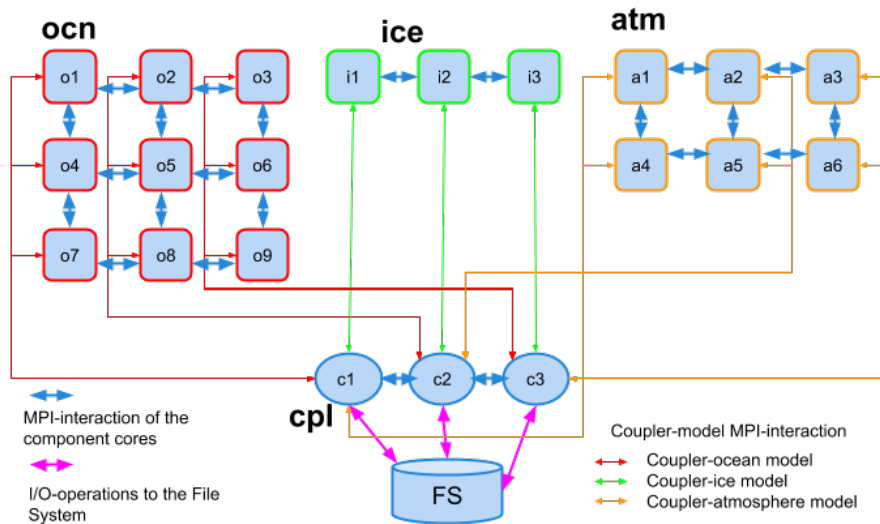


Fig. 1. Figure 1. Architecture of the coupled model in the CMF2.0. In this example there are three components (ocean, atmosphere, ice) connected by the 3-core coupler.

C2

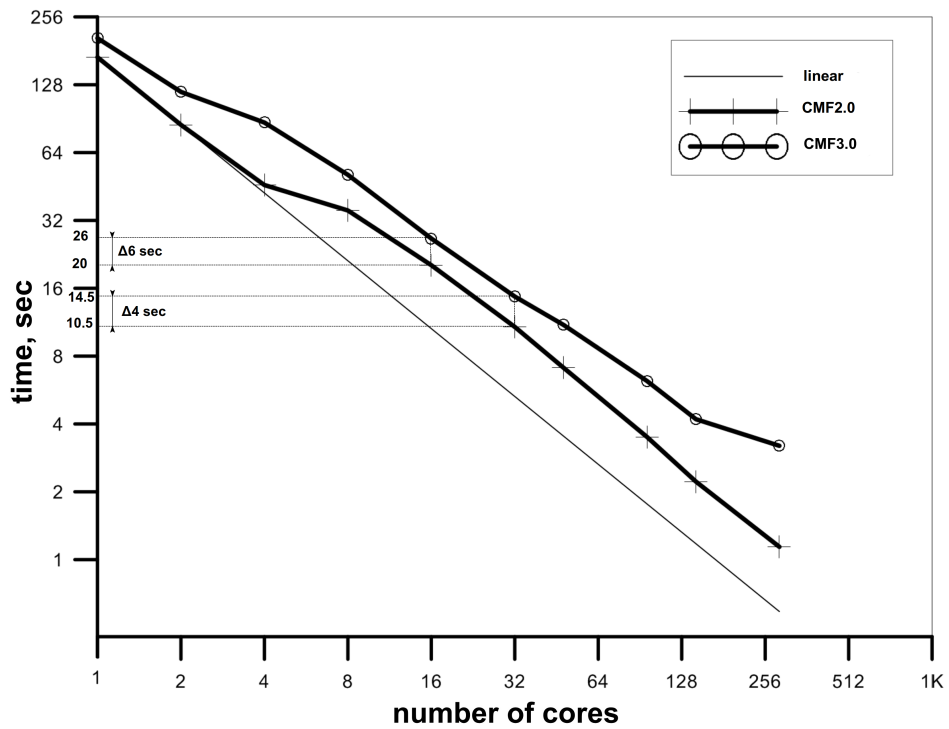


Fig. 2. Figure 8. Walltime required for the 10-day ocean-atmosphere model run with disabled physics vs. number of coupler cores on the MVS10p supercomputer (Test I for CMF2.0 and CMF3.0).

C3

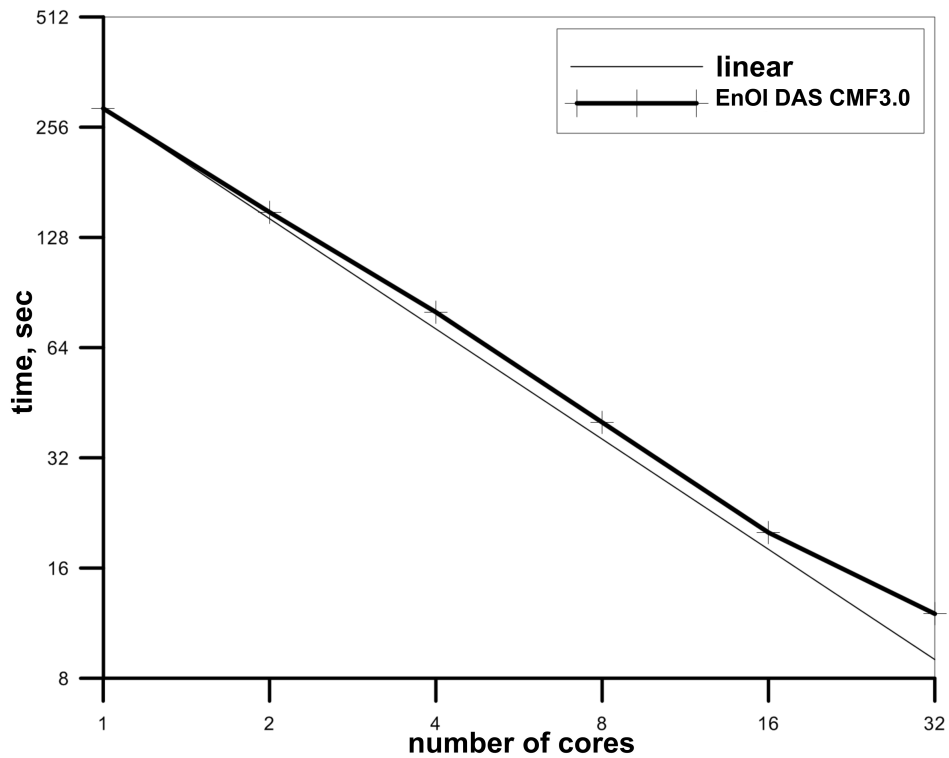


Fig. 3. Figure 10. Scalability of the EnOI method in context of the CMF3.0 DAS service at the assimilation of 10 4 points on the Lomonosov supercomputer (Moscow State University).

C4