

# ***Interactive comment on “Compact Modeling Framework v3.0 for high-resolution global ocean-ice-atmosphere models” by Vladimir V. Kalmykov et al.***

**Vladimir V. Kalmykov et al.**

maksim.kaurkin@phystech.edu

Received and published: 26 June 2018

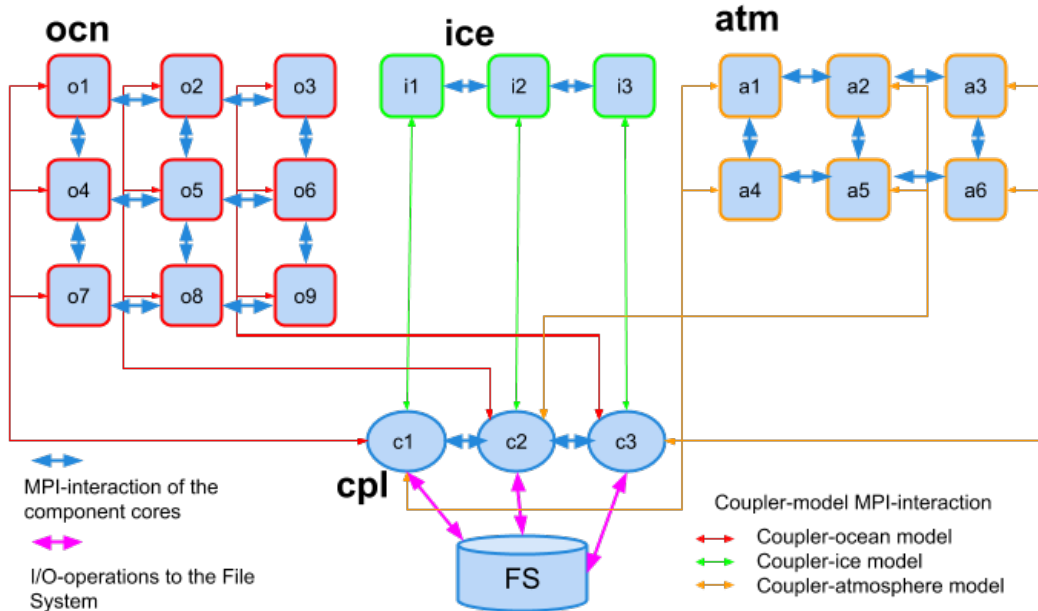
The comment was uploaded in the form of a supplement:  
<https://www.geosci-model-dev-discuss.net/gmd-2017-294/gmd-2017-294-AC1-supplement.pdf>

Interactive comment on Geosci. Model Dev. Discuss., <https://doi.org/10.5194/gmd-2017-294>, 2018.

Printer-friendly version

Discussion paper



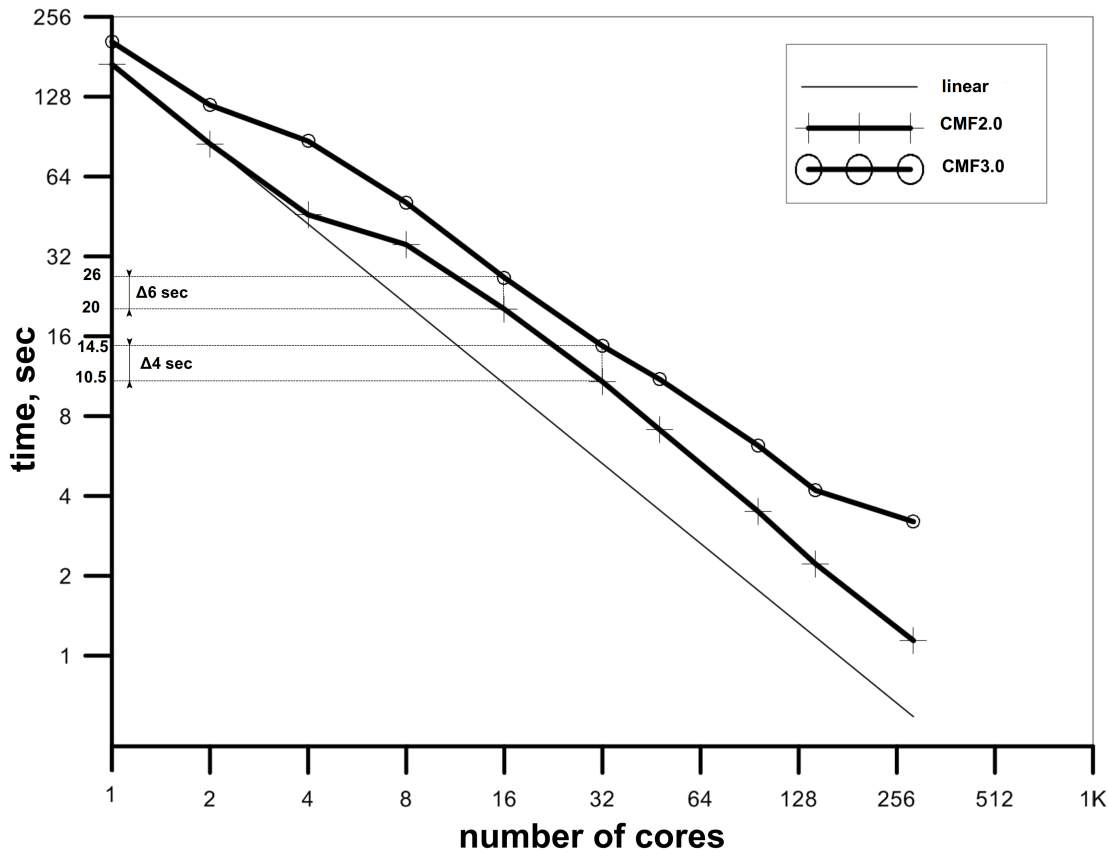


**Fig. 1.** Figure 1. Architecture of the coupled model in the CMF2.0. In this example there are three components (ocean, atmosphere, ice) connected by the 3-core coupler.

Printer-friendly version

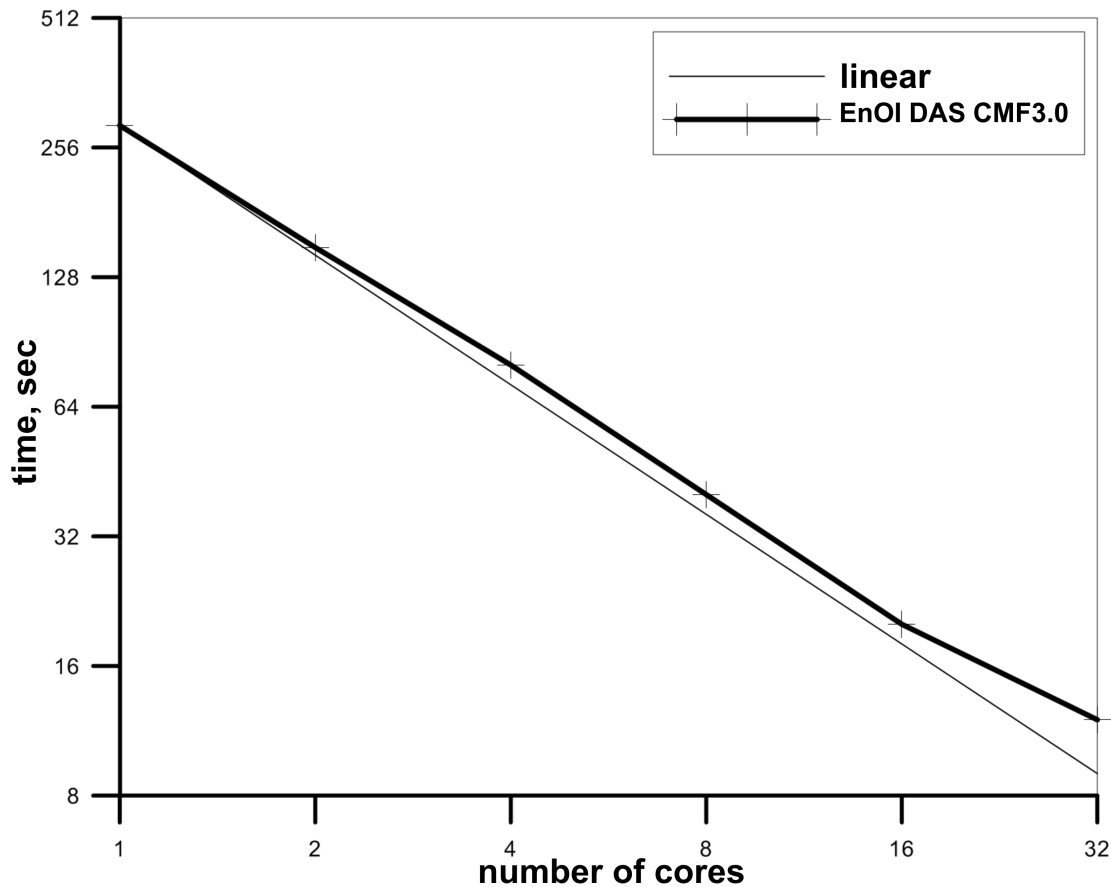
Discussion paper





**Fig. 2.** Figure 8. Walltime required for the 10-day ocean-atmosphere model run with disabled physics vs. number of coupler cores on the MVS10p supercomputer (Test I for CMF2.0 and CMF3.0).

[Printer-friendly version](#)[Discussion paper](#)



**Fig. 3.** Figure 10. Scalability of the EnOI method in context of the CMF3.0 DAS service at the assimilation of  $10^4$  points on the Lomonosov supercomputer (Moscow State University)

[Printer-friendly version](#)[Discussion paper](#)