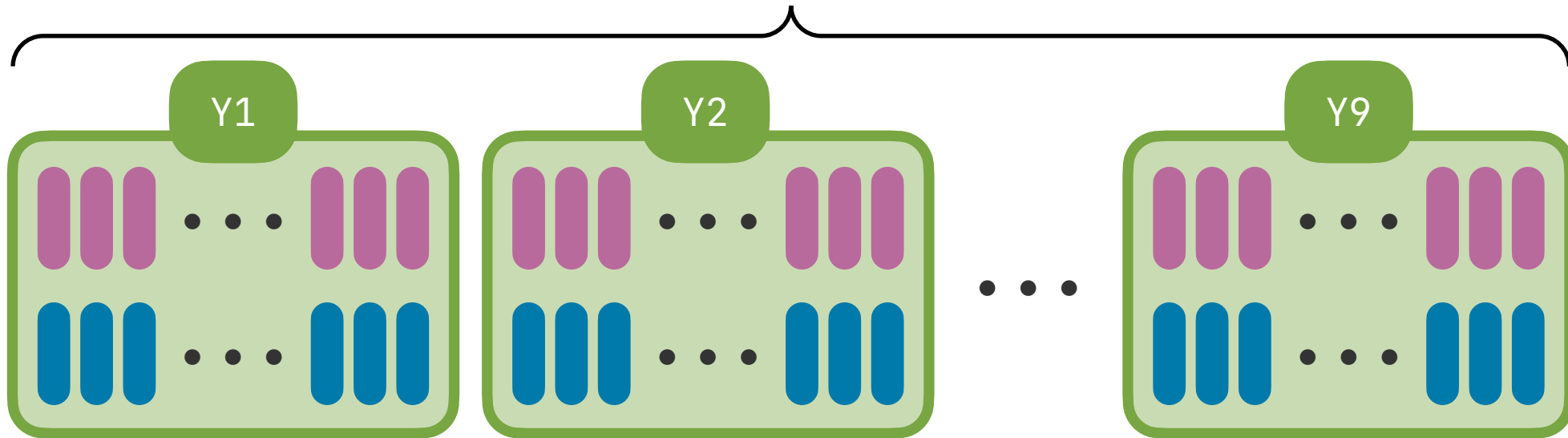


Year blocks



Predictions

Observations

Bootstrap (number samples = 4, length sample = 10)

Random samples

Y5 Y5 Y1 Y3 Y6 Y3 Y8 Y2 Y5 Y6

Y8 Y6 Y4 Y4 Y3 Y7 Y6 Y4 Y2 Y2

Y4 Y6 Y1 Y4 Y1 Y4 Y3 Y8 Y1 Y4

Y3 Y7 Y5 Y1 Y2 Y6 Y3 Y5 Y5 Y4