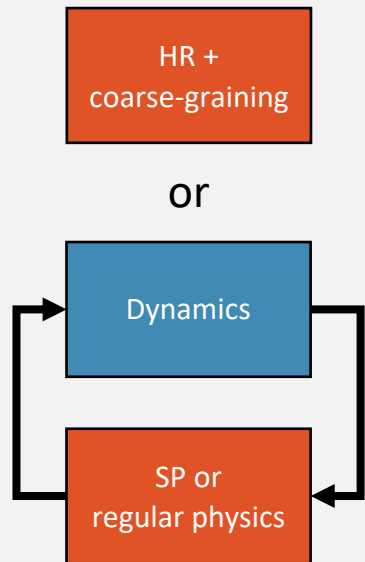
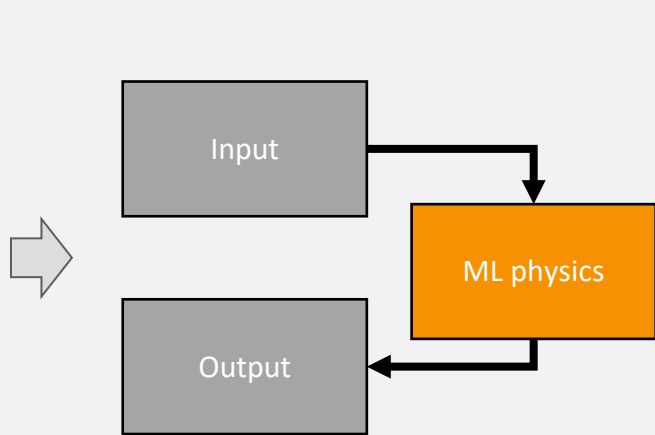


ML parameterization workflow

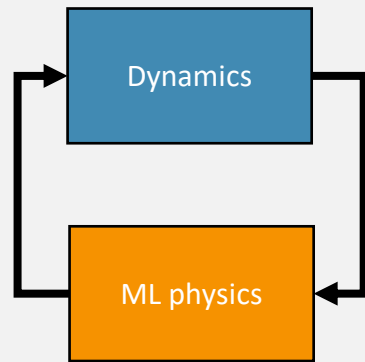
1. Create training data



2. "Offline" learning



3a. Run ML-LR model



3b. Coupled learning

